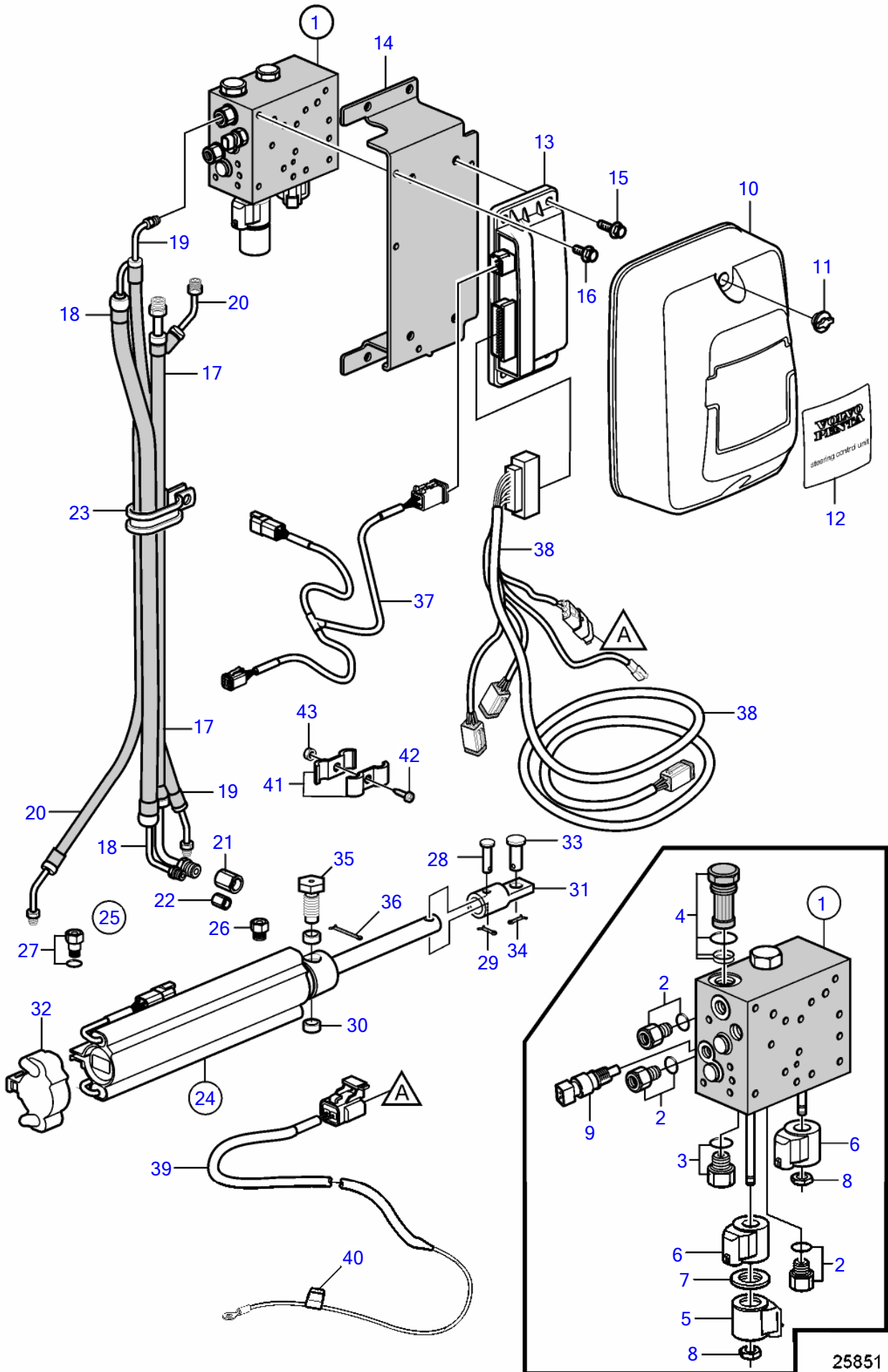


D3-140A-G, D3-170A-G, D3-200A-G, D3-220A-G



D3-140A-G, D3-170A-G, D3-200A-G, D3-220A-G

REF	PART NO.	QTY	DESCRIPTION	NOTES
1		X		Shaded parts show changes from earlier design.
	21445595	1	Valve	second design, introduced Jan. 2011, ser. no. A155443 and higher
2	21199274	3	• Nipple	
		3	• • O-ring	not sold separately
3	3859043	1	• Fitting	
	3859042	1	• • O-ring	
4	21584276	1	• Filter	changed from earlier design
		3	• • O-ring	not sold separately
5	21314061	1	• Solenoid	
6	21314064	2	• Solenoid	
7		1	• Washer	not sold separately
8		2	• Nut	not sold separately
9	3850397	1	• Switch, temperature	
10	21198760	1	Cover	
11	3841608	2	Wing nut	
12	21199454	1	Decal	
13	21469067	1	Control unit	SCU
	3809286	1	Software	Warehouse programming. This p/n can not be ordered, but will be used for invoicing.
	3809285	1	Software	Vodia-programming. This p/n can not be ordered, but will be used for invoicing.
14	21453160	1	Bracket	changed from earlier design
15	21280607	4	Flange screw	
16	946544	3	Flange screw	
17	21438496	1	Hose, return	changed from earlier design
18	21438494	1	Hose, pressure	changed from earlier design
19	21438492	1	Hose, starboard	changed from earlier design
20	21438490	1	Hose, port	changed from earlier design
21	984379	1	Nipple	
22	984378	1	Nipple	
23	(3852837)	2	Clamp	Obsolete part, part not sold
24	21243557	1	Steering cylinder	
		4	• Sensor, position	not sold separately
25	21298577	1	• Kit, fittings	
26		1	• • Fitting	¼" NPT, not sold separately
27		1	• • Fitting	ORB-M, not sold separately
		1	• • O-ring	not sold separately
28		1	• Clevis pin	not sold separately
29		1	• Cotter pin	not sold separately
30		2	• Bushing	not sold separately
31		1	• Cable attachment	not sold separately
32	21277346	1	Cardboard tube	
33	21234062	1	Clevis pin	
34	967707	1	Split pin	
35	3850931	2	Screw	
36	3853376	2	Split pin	
37	3588972	1	Cable kit, t	
38	21292450	1	Wiring harness	SCU
39	21292472	1	Wiring harness	Power
40		1	• Fuse	10A
41	984329	2	Clamp	
42	963675	1	Hex. socket screw	
43	944456	1	Hexagon nut	