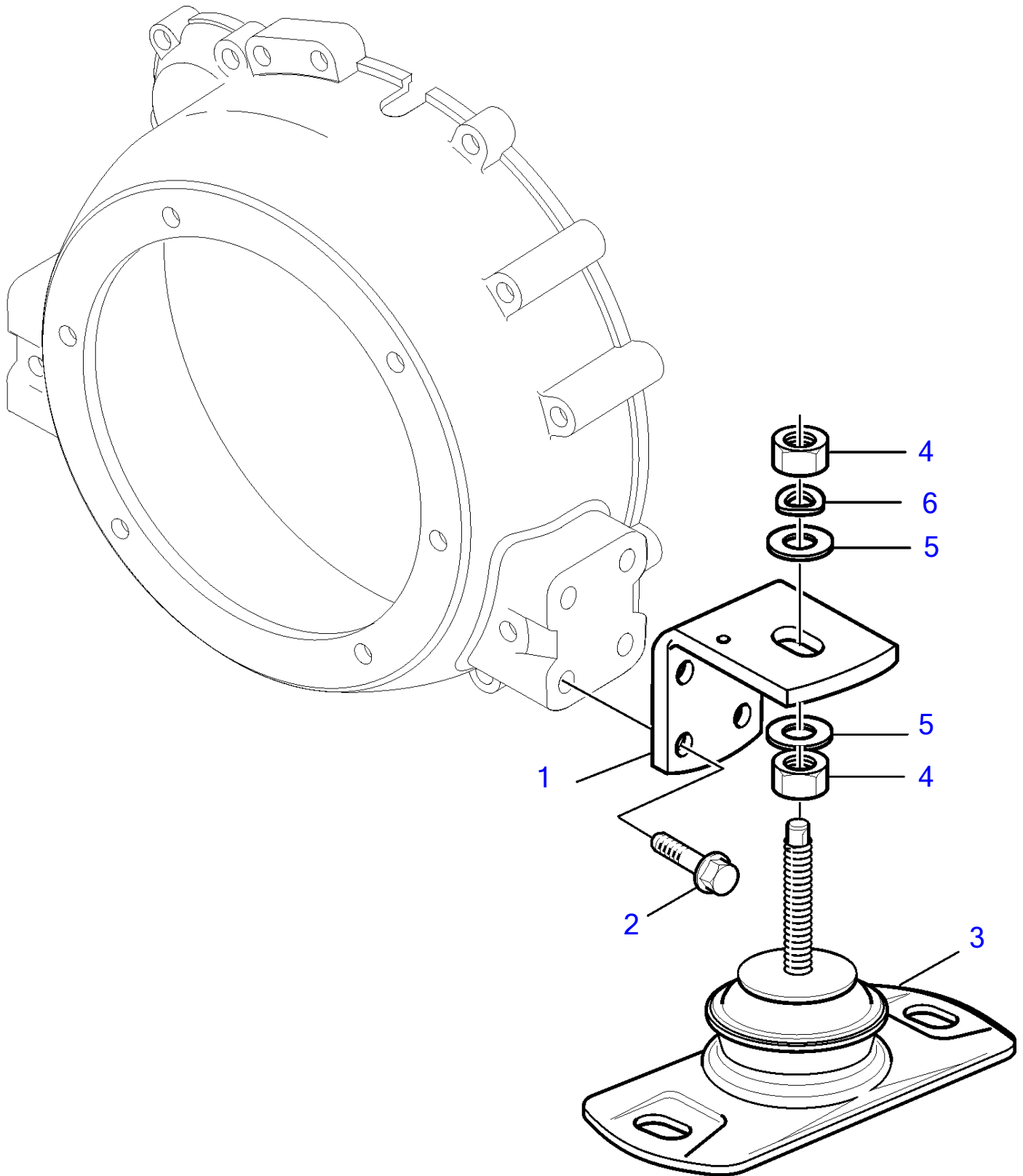


D3-110I-G, D3-140I-G, D3-150I-G, D3-170I-G, D3-200I-G, D3-220I-G



24789

D3-110I-G, D3-140I-G, D3-150I-G, D3-170I-G, D3-200I-G, D3-220I-G

REF	PART NO.	QTY	DESCRIPTION	NOTES
1	3589825	2	Bracket	
2	965193	8	Flange screw	M12x50mm
3	21670821	2	Rubber cushion	
4	955806	4	Hexagon nut	M18
5	955901	4	Washer	
6	941913	2	Spring washer	