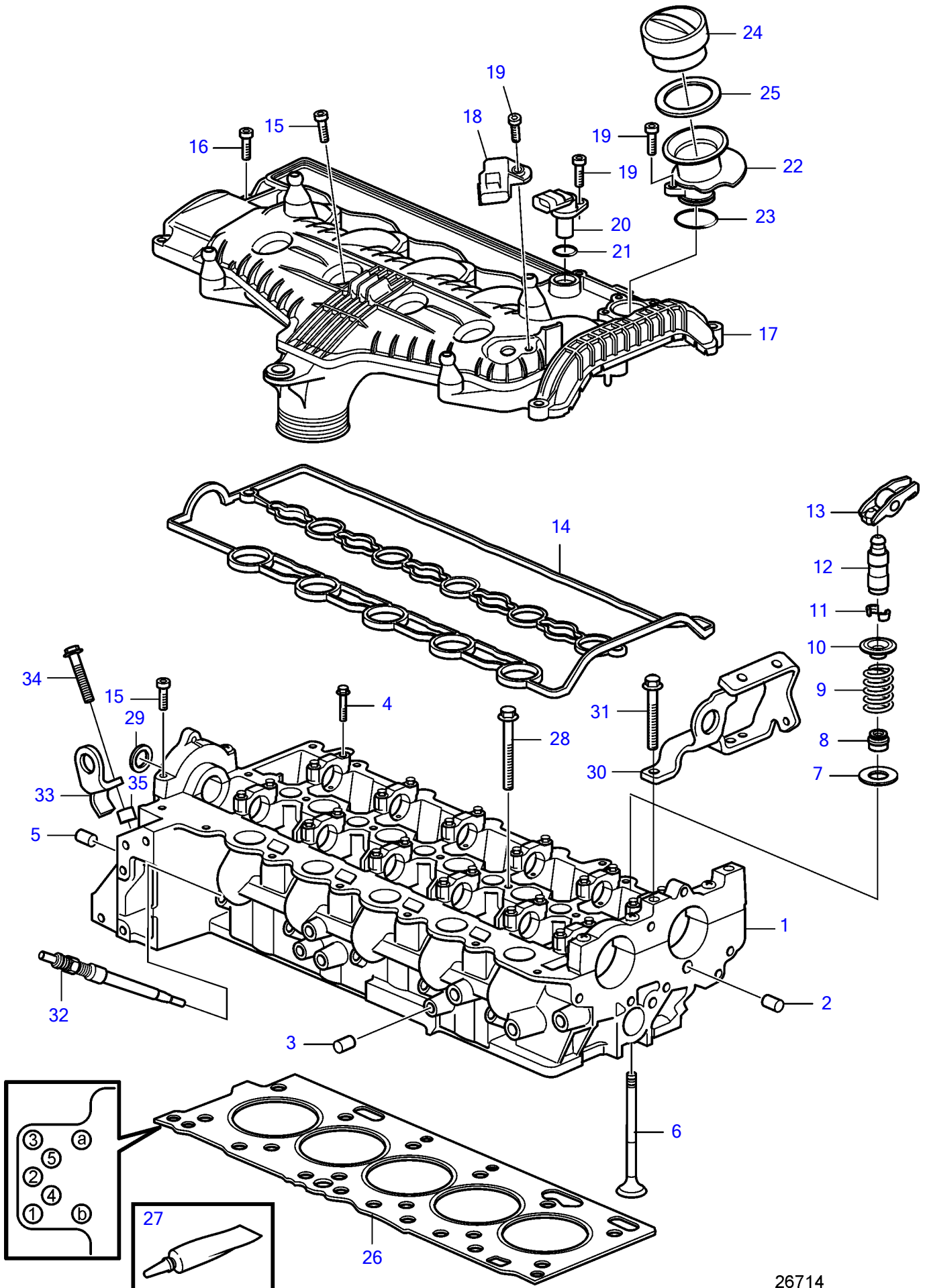


D3-110I-G, D3-140A-G, D3-140I-G, D3-150I-G, D3-170A-G, D3-170I-G, D3-200A-G, D3-200I-G, D3-220A-G, D3-220I-G



26714

D3-110I-G, D3-140A-G, D3-140I-G, D3-150I-G, D3-170A-G, D3-170I-G, D3-200A-G, D3-200I-G, D3-220A-G, D3-220I-G

REF	PART NO.	QTY	DESCRIPTION	NOTES
1	3801563	1	Cylinder head, exch	
2	946780	1	• Cap plug	
3	946779	2	• Cap plug	
4	982761	24	• Flange screw	M6x35mm
5	981713	3	• Plug	
6	8631650	10	• Inlet valve	
	8631651	10	• Exhaust valve	
7	8631655	20	• Valve spring washer, lower	
8	8631652	20	• Valve stem seal	
9	31258132	20	• Valve spring	
10	8631654	20	• Valve spring washer, upper	
11	9454613	40	• Valve collet	
12	31251885	20	Pivot	
13	8670045	20	Tappet	
14	30777600	1	Gasket	
15	987350	5	6 point socket screw	
16	987494	12	Flange screw	
17	31338169	1	Valve cover	
18	31216308	1	Pressure sensor	
19	986072	5	6 point socket screw	M6x25mm
20	8658726	1	Sensor	
21	30756062	1	O-ring	
22	31330189	1	Oil filler pipe	
23	30757159	1	• O-ring	
24	3819129	1	Oil filler cap	
25	30677740	1	• O-ring	
26				Gasket (a) not valid for VP
	31392321	1	Cylinder head gasket	Hole 5 and b, Class 1
	31392322	1	Cylinder head gasket	Hole 4, 5 and b, Class 2
	31392323	1	Cylinder head gasket	Hole 3, 4, 5 and b, Class 3
	31392324	1	Cylinder head gasket	Hole 2, 3, 4, 5 and b, Class 4
	31392325	1	Cylinder head gasket	Hole 1, 5 and b, Class 5
27	1161059	X	Sealing compound	
28	30777636	12	Flange screw	M12x197mm
29	8631561	1	Sealing ring	
30	21806510	1	Lifting eye	
31	965181	2	Flange screw	M8x70mm
32	8631607	5	Glow plug	12V, SOLAS
33	(21146441)	1	Lifting eye	Obsolete part
34	965193	1	Flange screw	M12x50mm
35	847397	1	Spacer sleeve	