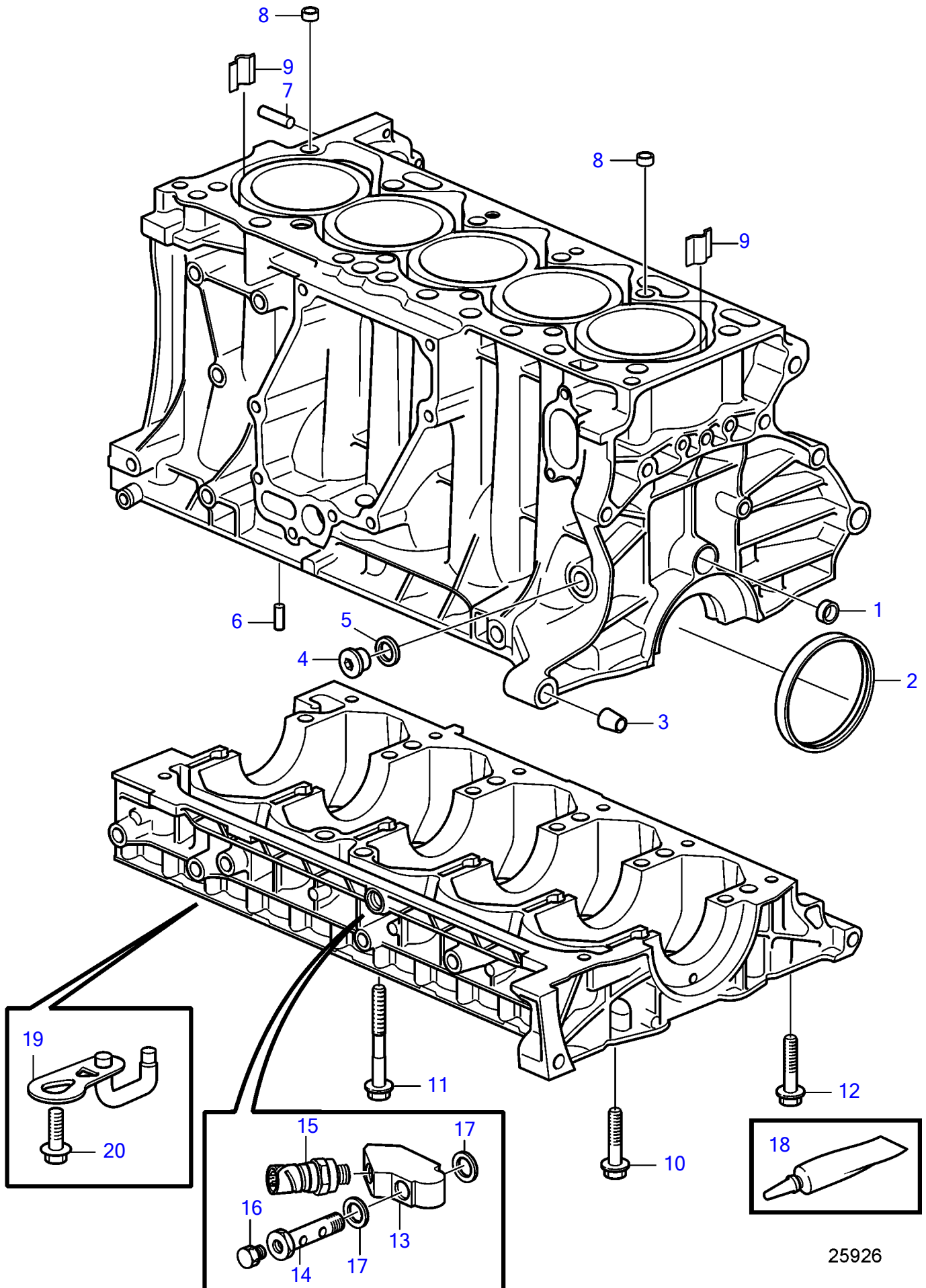


D3-110I-G, D3-140A-G, D3-140I-G, D3-150I-G, D3-170A-G, D3-170I-G, D3-200A-G, D3-200I-G, D3-220A-G, D3-220I-G



25926

D3-110I-G, D3-140A-G, D3-140I-G, D3-150I-G, D3-170A-G, D3-170I-G, D3-200A-G, D3-200I-G, D3-220A-G, D3-220I-G

REF	PART NO.	QTY	DESCRIPTION	NOTES
1	8687868	1	Cap plug	
2	9458178	1	Sealing ring	
3	1256394	2	Guide sleeve	
4	30713237	1	Plug	
5	11996	1	Gasket	
6	1383730	5	Locating pin	
7	950542	2	Pin	
8	1366129	2	Guide sleeve	
9	8631501	2	Guide rail	
10	987736	5	Flange screw	M7x70mm
11	31368044	12	Screw	M10x117mm
12	987962	12	Flange screw	M8x70mm
13	21636474	1	Connection block	
14	21636477	1	Hollow screw	
15	21634021	1	Pressure sensor	
16	981749		Plug	
17	11994	2	Gasket	
18	1161059	X	Sealing compound	
19	30750790	5	Piston cooling jet	
20	982777	5	Flange screw	