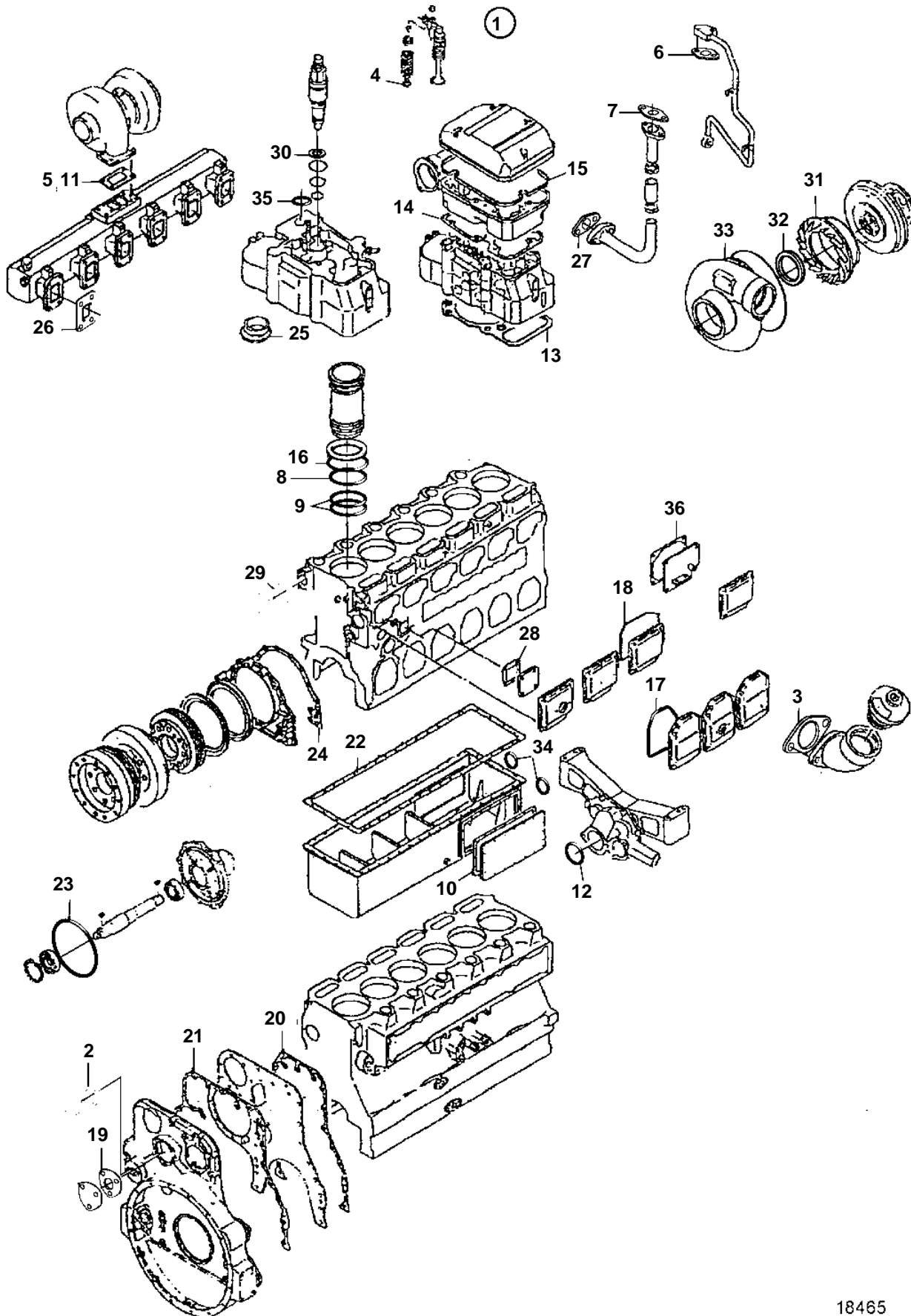


D25A-MT, D25A-MS, D30A-MT, D30A-MS



D25A-MT, D25A-MS, D30A-MT, D30A-MS

REF	PART NO.	QTY	DESCRIPTION	NOTES
1	3836544	1	Gasket kit, remaining components	Del 2 (3835063)
2	3831622	1	• Gasket	
3	3835304	1	• Gasket	(3833896)
4	3831664	24	• Valve stem seal	
5	3831679	1	• Gasket	
6	3818203	1	• Gasket	(3833900)
7	3835123	1	• Gasket	(3833901)
8	3831690	6	• O-ring	
9	3831691	12	• O-ring	
10	3833904	2	• Gasket	
11	3833574	1	• Gasket	
12	3831577	1	• O-ring	
13	3835065	6	• Gasket	
14	3808716	6	• Gasket	(3831720)
15	3831727	6	• O-ring	
16	3831753	6	• O-ring	
17	3831754	6	• O-ring	
18	3831755	6	• O-ring	
19	3833905	1	• Gasket	
20	3833906	1	• Gasket	
21	3831765	1	• Gasket	
22	3835138	1	• Gasket	(3833945)
23	3831801	1	• O-ring	
24	3838601	1	• Gasket	(3831808)
25	3831814	6	• Gasket	
26	3831822	6	• Gasket	
27	3835128	1	• Gasket	(3833911)
28	3833943	1	• Gasket	
29	3835059	2	• Gasket	(3833538)
30	3831900	6	• Gasket	
31	3833848	1	• O-ring	
32	3833849	1	• O-ring	
33	3833850	1	• O-ring	
34	3831574	2	• O-ring	
35	3839038	6	• O-ring	(3832287)
36	3831978	2	• Gasket	
	3835120	1	• Gasket	Not shown
	3831764	1	• Gasket	Not shown
	3838301	1	• Gasket	(3833938). Not shown
	3833914	1	• Gasket	Not shown
	3833550	1	• Gasket	Not shown
	3831907	2	• O-ring	Not shown
	3831909	2	• O-ring	Not shown
	3832351	1	• Sealant	Not shown
	3832288	1	• O-ring	Not shown