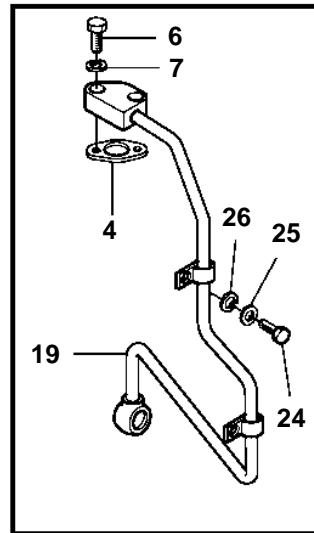
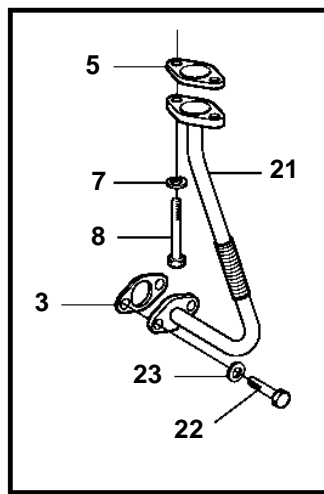
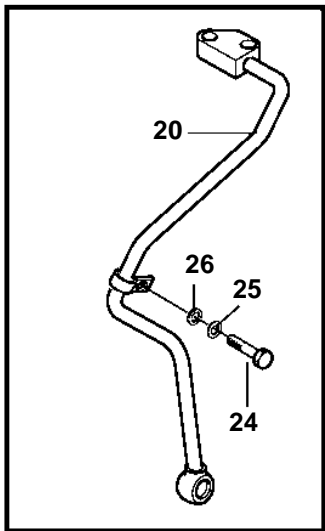
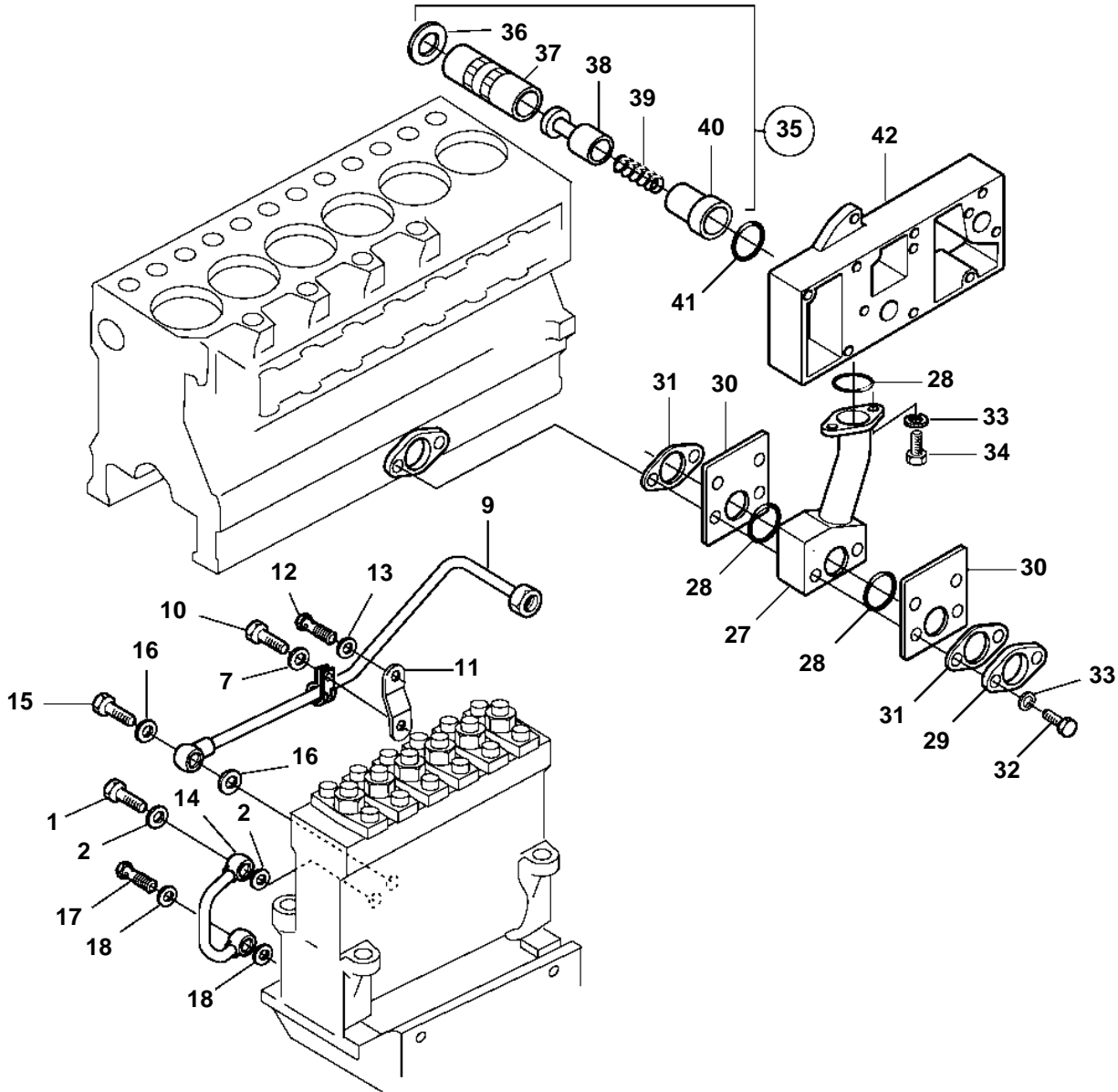


D25A-MT, D25A-MS



## D25A-MT, D25A-MS

REF	PART NO.	QTY	DESCRIPTION	NOTES
1	3832313	1	Hollow screw	
2	3831595	2	Sealing washer	
3	3835128	1	Gasket	
4	3818203	1	Gasket	(3835122)
5	3835123	1	Gasket	
6	3831576	2	Screw	
7	3832233	5	Spring washer	
8	3831575	2	Screw	
9	3835159	1	Oil pipe, oil cooler	
10	3832042	1	Screw	
11	3831898	1	Stay	
12	3832092	1	Screw	
13	3832277	1	Spring washer	
14	3831842	1	Oil pipe, fuel inj. pump	
15	3832310	1	Hollow screw	
16	3831588	2	Sealing washer	
17	3832311	1	Hollow screw	
18	3831591	2	Sealing washer	
19	3831836	1	Oil pipe	
21	3831826	1	Drain pipe	
22	3832058	2	Screw	
23	3832245	2	Spring washer	
24	3835725	2	Screw	
25	3832245	2	Spring washer	
26	3832218	2	Washer	
27	3807055	1	Oil pipe	(3831832)
28	3831569	3	O-ring	
29	3831834	1	Flange	
30	3831833	2	Plate	
31	3831639	2	Gasket	
32	3832089	2	Screw	
33	3832245	3	Spring washer	
34	3831605	2	Screw	
35	3831840	1	Overflow valve	
36	3834208	1	Plate	
37	3834608	1	Valve sleeve	
38	3834841	1	Valve	
39	3834651	1	Valve spring	
40	3834734	1	Sleeve	
41	3831569	1	O-ring	
42		1	Adapteroil-filter housing	