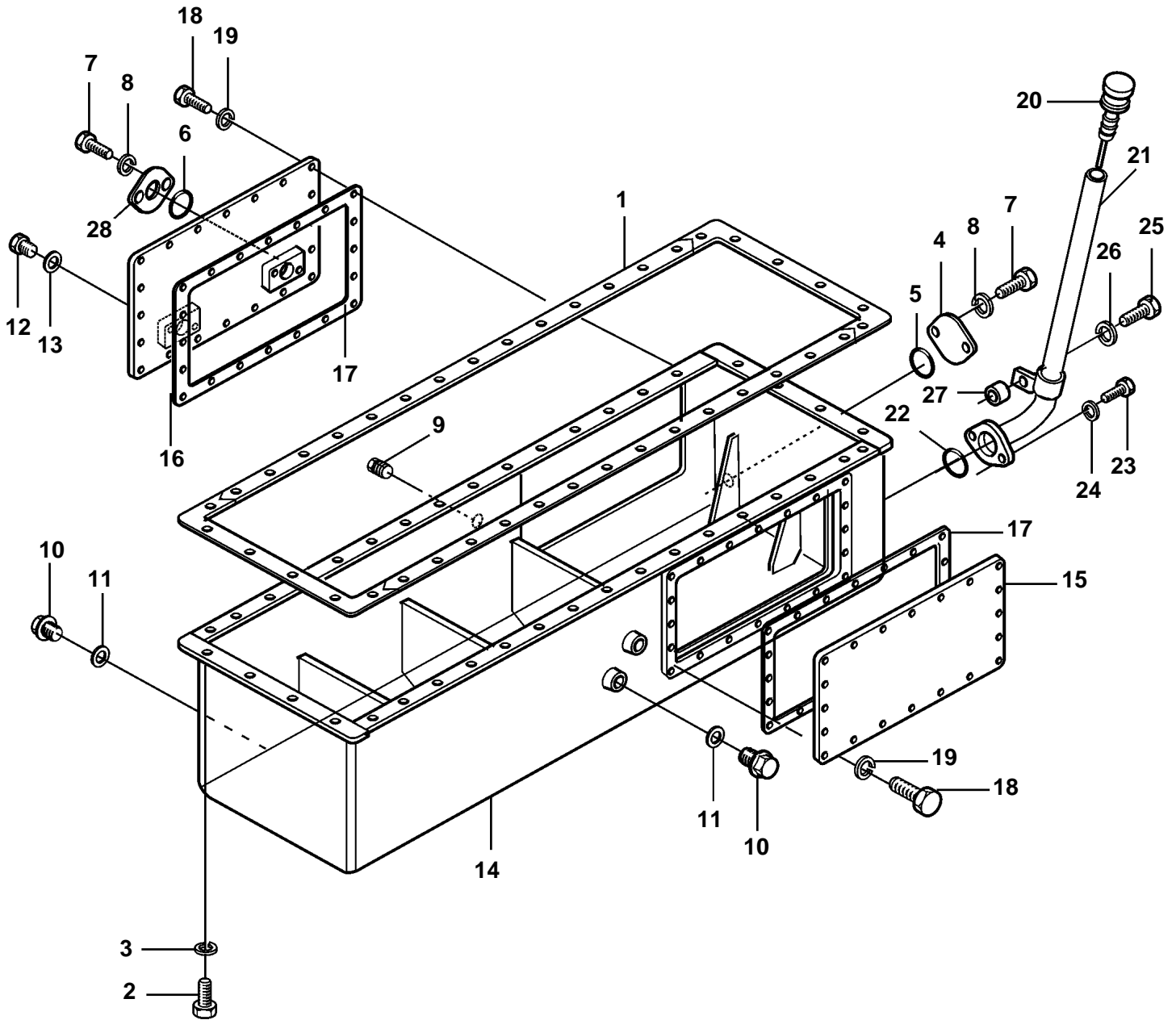


D25A-MT, D25A-MS, D30A-MT, D30A-MS



22047

D25A-MT, D25A-MS, D30A-MT, D30A-MS

REF	PART NO.	QTY	DESCRIPTION
1	3835138	1	Gasket
2	3832058	41	Screw
3	3832245	41	Spring washer
4	3831665	1	Cover
5	3831574	1	O-ring
6	3831572	1	O-ring
7	3832056	4	Screw
8	3832245	4	Spring washer
9	3832342	1	Plug
10	3832333	2	Plug
11	3831600	2	Sealing washer
12	3832330	2	Plug
13	3831596	2	Sealing washer
14	3833951	1	Oil pan
15	3831695	1	Cover
16	3831770	1	Cover
17	3835124	2	Gasket
18	3832042	40	Screw
19	3832233	40	Spring washer
20	3835181	1	Plug
21	3835161	1	Oil pipe
22	3831574	1	O-ring
23	3832056	2	Screw
24	3832245	2	Spring washer
25	3832077	1	Screw
26	3832245	1	Spring washer
27	3835212	1	Spacer
28		1	Flange