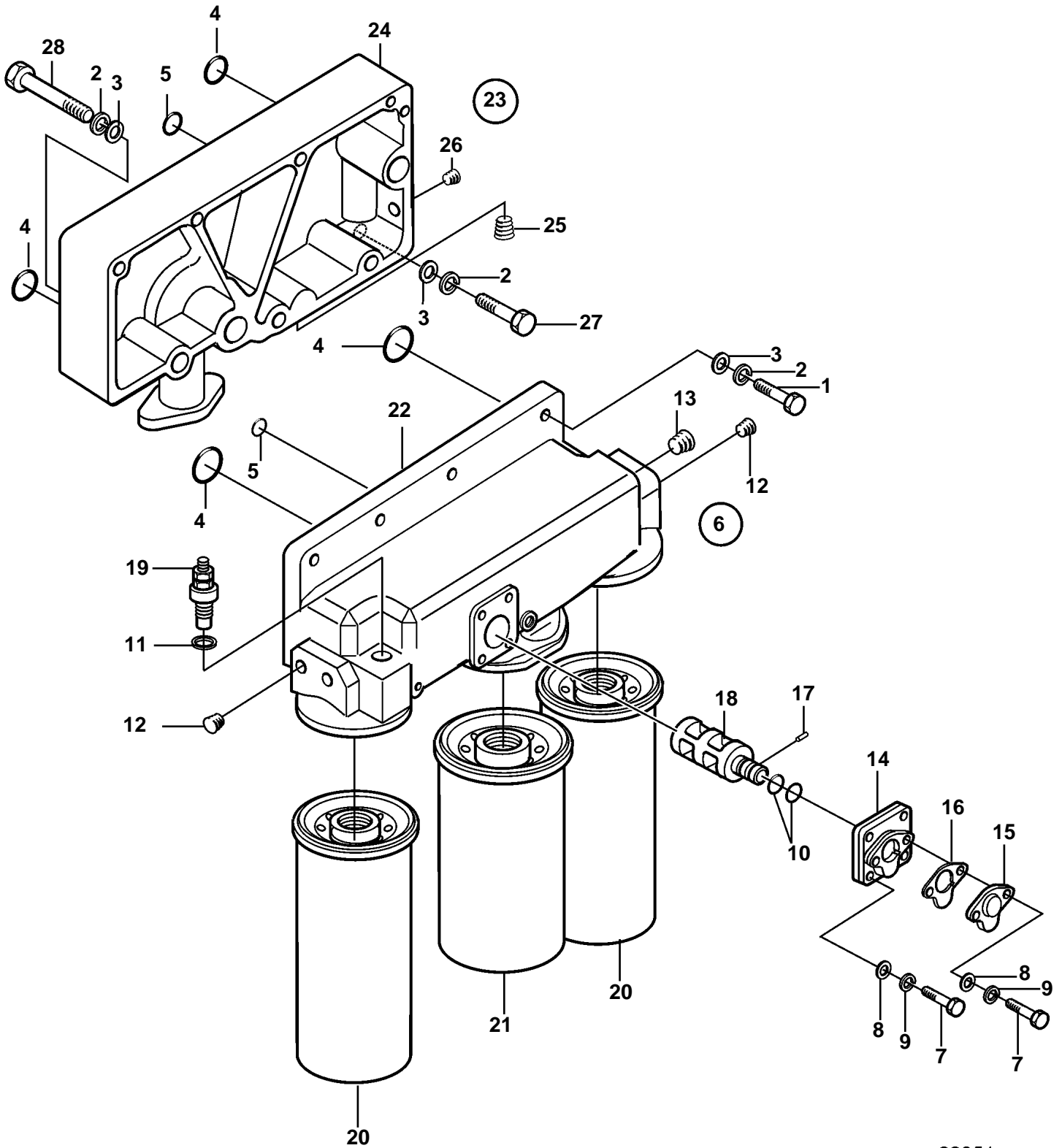


D30A-MT, D30A-MS



22051

## D30A-MT, D30A-MS

REF	PART NO.	QTY	DESCRIPTION
1	3832091	4	Screw
2	3832245	9	Spring washer
3	3832218	9	Washer
4	3831567	4	O-ring
5	3835112	2	O-ring
6	3836345	1	Oil filter
7	3832038	6	· Screw
8	3831791	6	· Washer
9	3832225	6	· Spring washer
10	3831960	2	· O-ring
11	3832061	1	· Gasket
12	3832335	4	· Plug
13	3832101	1	· Plug
14	3833351	1	· Cover
15	3833328	1	· Cover
16	3833532	1	· Gasket
17	3833980	3	· Pin
18	3833200	1	· Tap
19	3832149	1	· Plug
20	3831487	2	· Oil filter
21	3831488	1	· Filter insert
22	3833012	1	· Bracket
23	3832141	1	Adapter
24		1	· Adapter
25	3832100	1	· Plug
26	3832101	1	· Plug
27	3832065	1	Screw
28	3832253	3	Screw