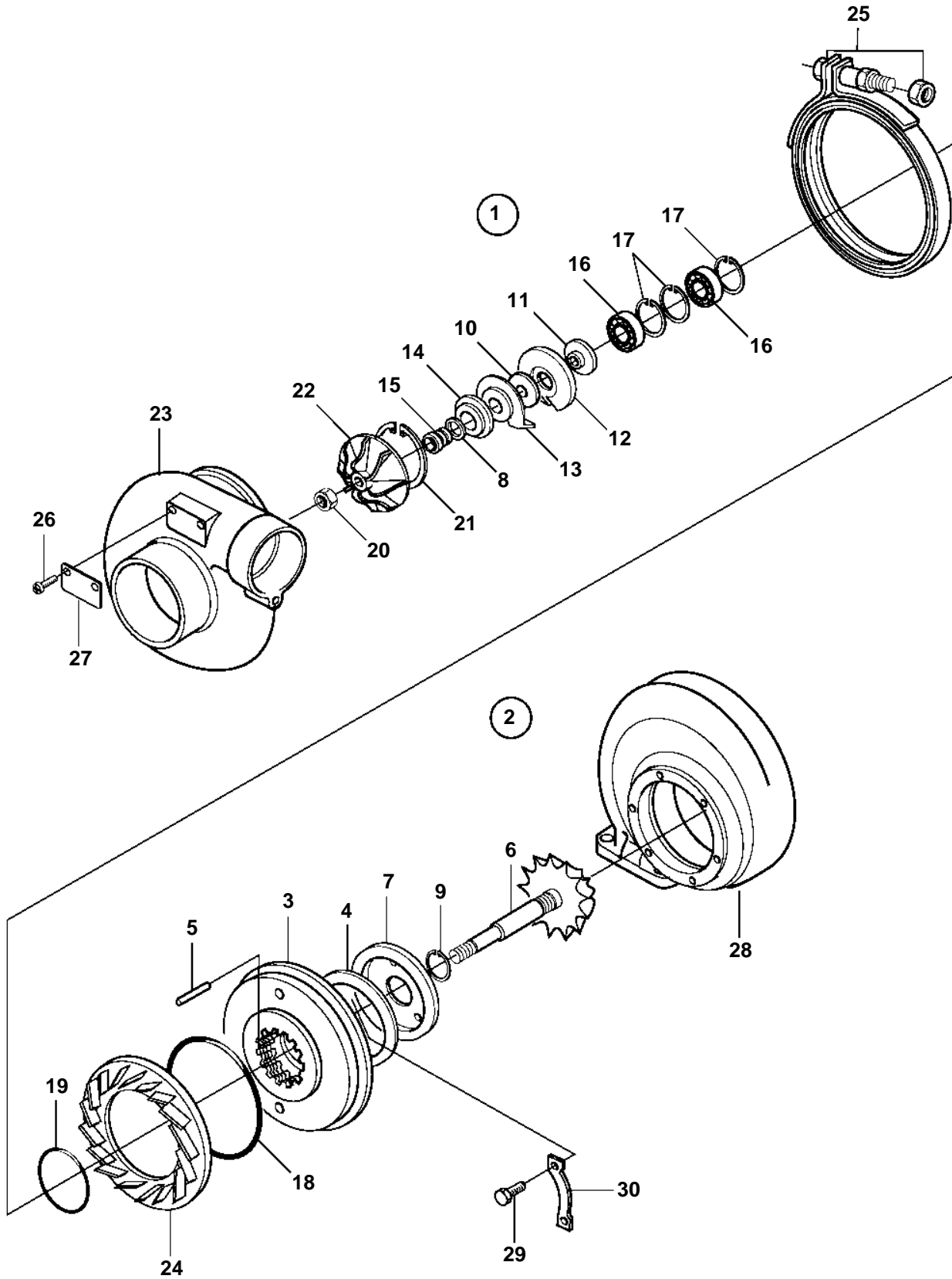


D25A-MT



D25A-MT

| REF | PART NO. | QTY | DESCRIPTION |
|-----|----------|-----|------------------------|
| 1 | 3835236 | 1 | Turbo |
| 2 | 3833125 | 1 | · Rotor unit |
| 3 | | 1 | · · Bearing housing |
| 4 | | 1 | · · · Bearing housing |
| 5 | 3833979 | 2 | · · · Spring pin |
| 6 | | 1 | · · Rotor |
| 7 | 3834222 | 1 | · · Plate |
| 8 | 3834354 | 1 | · · Piston ring |
| 9 | 3834353 | 1 | · · Piston ring |
| 10 | 3834368 | 1 | · · Thrust bearing |
| 11 | 3834369 | 1 | · · Thrust bearing |
| 12 | 3832170 | 1 | · · Bearing |
| 13 | 3833424 | 1 | · · Oil deflector ring |
| 14 | 3833646 | 1 | · · Insert |
| 15 | 3834609 | 1 | · · Sleeve |
| 16 | 3832158 | 2 | · · Bearing |
| 17 | 3834365 | 3 | · · Snap ring |
| 18 | 3833848 | 1 | · · O-ring |
| 19 | 3833849 | 1 | · · O-ring |
| 20 | 3833824 | 1 | · · Lock nut |
| 21 | 3834366 | 1 | · · Snap ring |
| 22 | | 1 | · · Compressor wheel |
| 23 | | 1 | · · Cover |
| 24 | | 1 | · · Diffuser |
| 25 | 3834902 | 1 | · Ring |
| 26 | 3832131 | 2 | · Rivet |
| 27 | | 1 | · Plate |
| 28 | 3835235 | 1 | · Turbine housing |
| 29 | 3832259 | 6 | · Screw |
| 30 | 3834233 | 3 | · Plate |