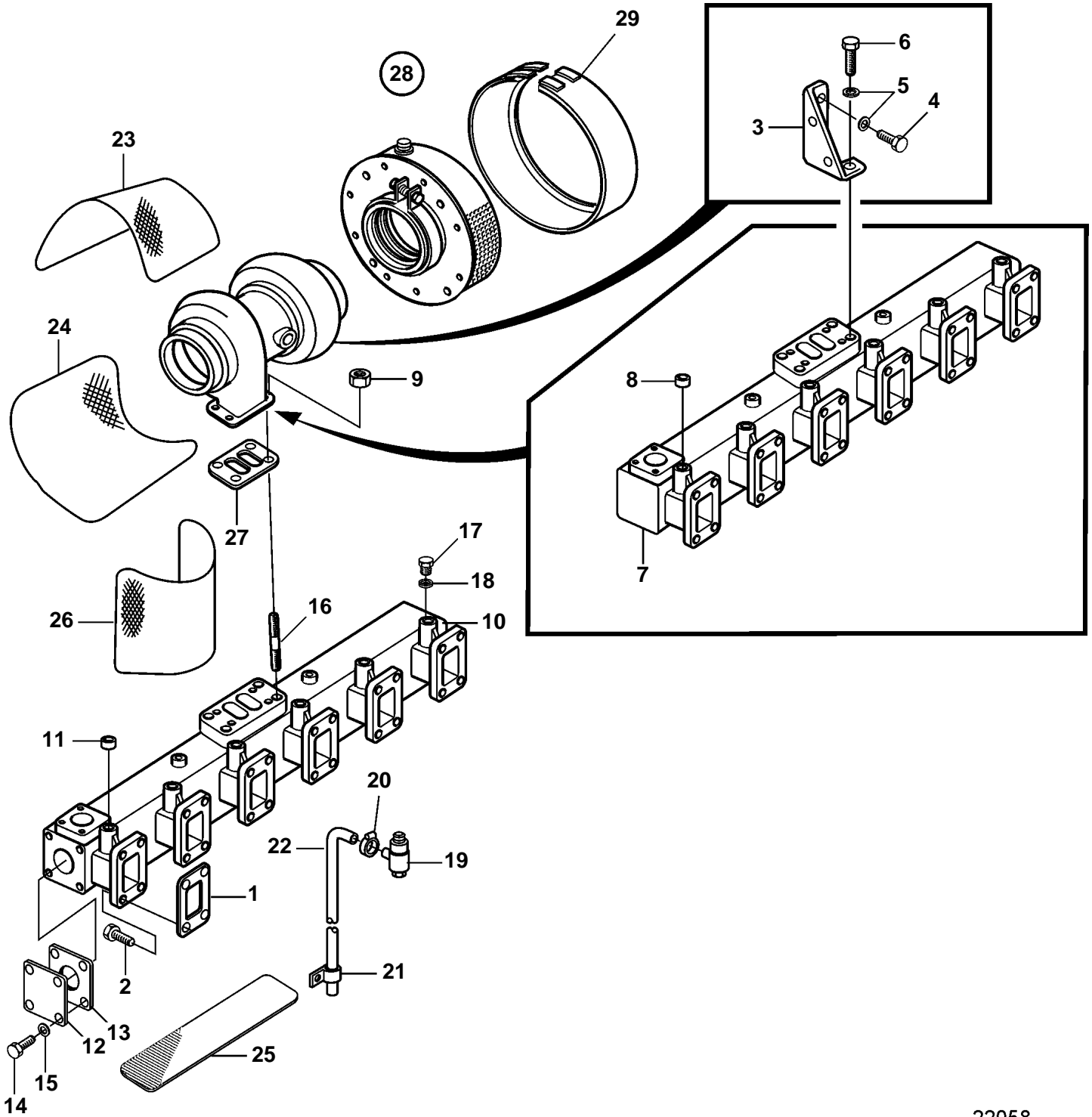


D25A-MT, D30A-MT, D30A-MS



22058

D25A-MT, D30A-MT, D30A-MS

REF	PART NO.	QTY	DESCRIPTION	NOTES
1	3831822	6	Gasket	
2	3831818	24	Screw	D25A SN-18746, D30A SN-28677
	3841715	24	Screw	D25A SN18747-, D30A SN28678-
9	3832212	4	Lock nut	
10	3831824	1	Manifold	D25A SN-18746, D30A SN-28677
	3841713	1	Manifold	D25A SN18747-, D30A SN28678-
11	3833115	9	· Cap	
12	3831819	1	Cover	
13	3837368	1	Gasket	(3831820)
14	3832044	4	Screw	
15	3832233	4	Spring washer	
16	3831678	4	Stud	
17	3831995	6	Plug	
18	3837646	6	Gasket	
19	3831659	1	Drain cock	
20	3831614	1	Clamp	
21	3831655	1	Clamp	
22	3831619	1	Drain pipe	
23	3835094	1	Heat shield	
24	3835090	1	Heat shield	
25	3835091	1	Heat shield	
26	3835092	1	Heat shield	
27	3831679	1	Gasket	
28	3832030	1	Air filter	
29	3834294	1	· Pre-cleaner	