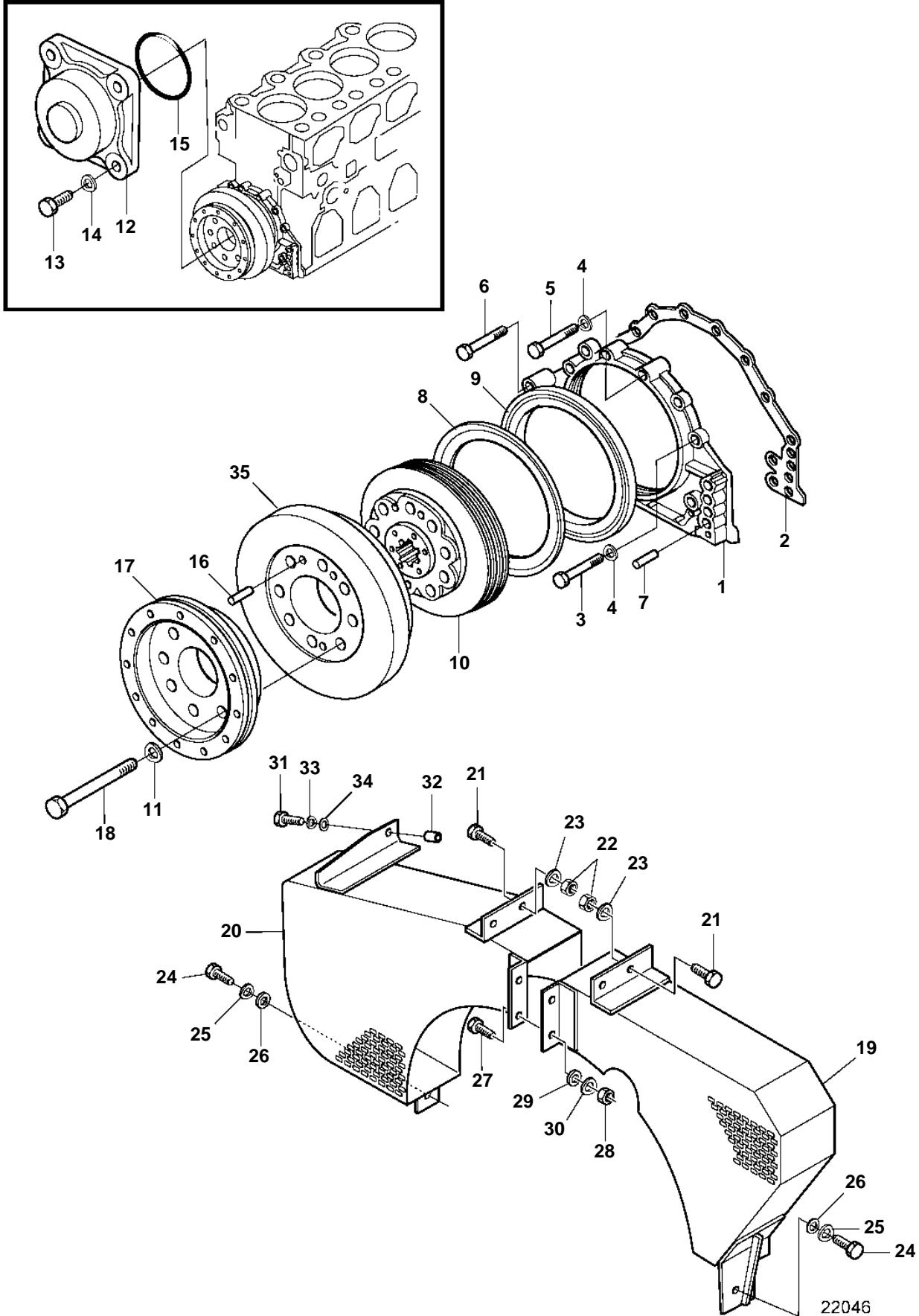


D25A-MT, D25A-MS



D25A-MT, D25A-MS

REF	PART NO.	QTY	DESCRIPTION	SEE SEC.	NOTES
1	3807063	1	Cover		(3835023)
2	3838601	1	Gasket		(3831808)
3	3832063	2	Screw		
4	3832245	6	Spring washer		
5	3832065	2	Screw		
6	3832066	2	Screw		
7	3831821	2	Pin		
8	3831761	1	Sealing ring		
9	3834616	1	Oil deflector ring		
10	3831806	1	Pulley		
11	3831670	8	Washer		
12	3835012	1	Cover		
13	3832063	4	Screw		
14	3832245	4	Spring washer		
15	3831579	1	O-ring		
16	3831839	2	Pin		
17	3835186	1	Pulley		
18	3831608	8	Screw		
19	3835017	1	Belt protector		P
20	3835018	1	Belt protector		S.B
21	3832058	4	Screw		
22	3832199	4	Lock nut		
23	3832245	4	Spring washer		
24	3832042	2	Screw		
25	3832233	2	Spring washer		
26	3832214	2	Washer		
27	3832042	2	Screw		
28	3832196	2	Lock nut		
29	3832214	2	Washer		
30	3832233	2	Spring washer		
31	3834943	1	Screw		
32	3835213	1	Spacer		
33	3832245	1	Spring washer		
34	3832218	1	Washer		
35		1	Vibration damper	4810	