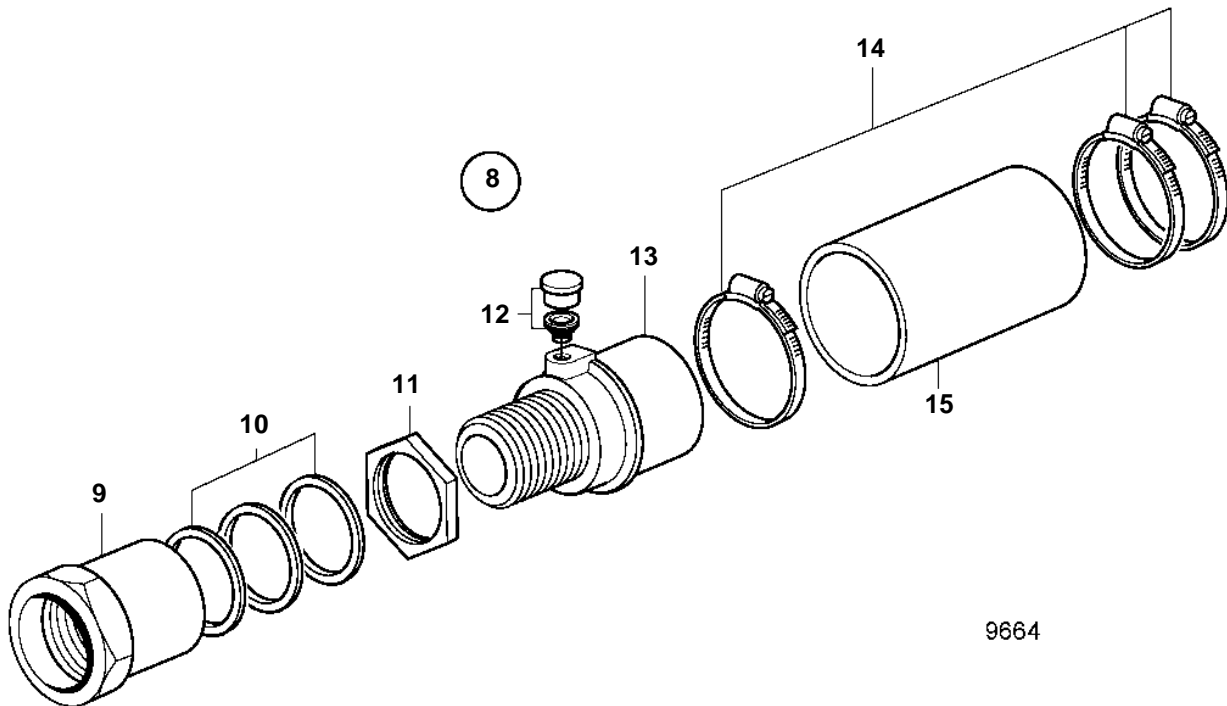
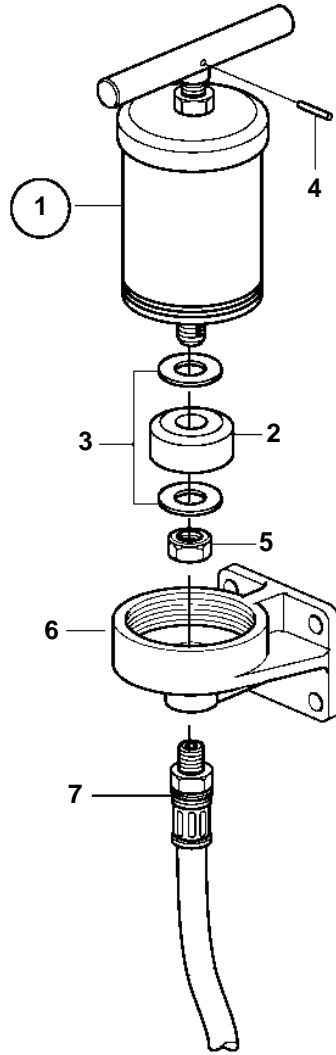


D2-75A, D2-75B, D2-75C, D2-75F



9664

D2-75A, D2-75B, D2-75C, D2-75F

REF	PART NO.	QTY	DESCRIPTION	NOTES
1	827184	1	Grease press	
2	815579	1	· Leather cuff	
3	948087	2	· Washer	
4		1	· Grooved pin	
5	950354	1	· Lock nut	
6		1	· Retainer	
7	833842	1	Hose	
8	859013	1	Stuffing box	D=30mm
	859014	1	Stuffing box	D=35mm
9		1	· Nut	
10	859006	3	· Box gasket	D=30mm
	859007	3	· Box gasket	D=35mm
11		1	· Nut	
12	914138	1	· Lubricator	
13		1	· Stuffing box	
14	961674	3	· Hose clamp	
15	825673	X	· Rubber hose	D=30mm
		X	· Rubber hose	D=35mm