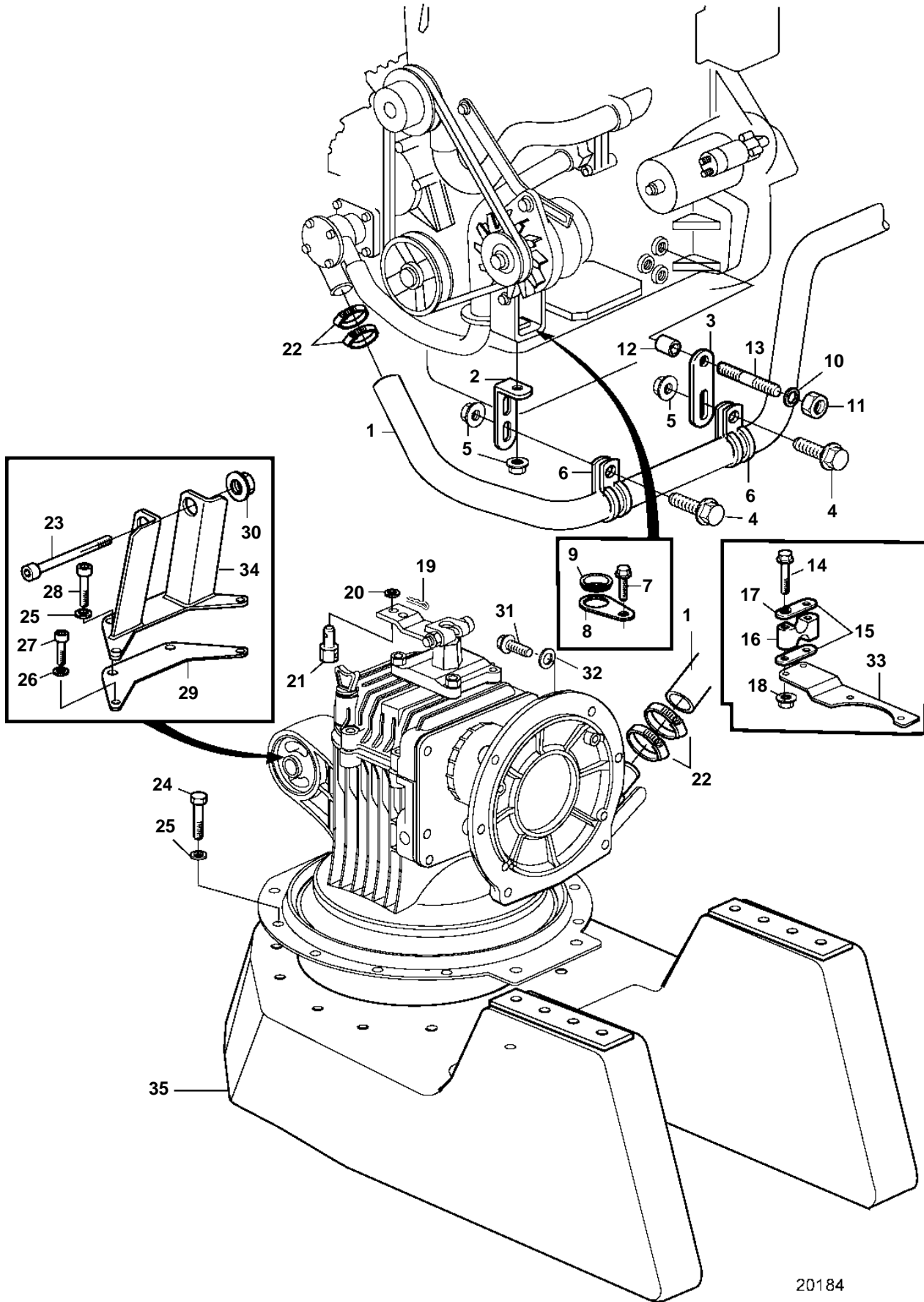


D2-75A, D2-75B, D2-75C, D2-75F



20184

D2-75A, D2-75B, D2-75C, D2-75F

REF	PART NO.	QTY	DESCRIPTION	NOTES
1	3583076	1	Hose	For S-drive MS25S
2	965555	1	Bracket	
3	965535	1	Bracket	
4	946440	2	Flange screw	
5	945408	3	Flange nut	
6	949850	2	Clamp	
7	946671	1	Flange screw	
8	3580250	1	Stay	
9	3580251	1	Grommet	
10	845988	1	Spacer sleeve	
11	3583789	1	Nut	
12	3582401	1	Adapter	
13	924083	1	Stud	
14	969439	2	6 point socket screw	
15	872076	2	Washer	
16	872074	1	Retainer	
17	940090	2	Washer	
18	949874	1	Flange lock nut	
19	17276	1	Split pin	
20	941906	1	Spring washer	
21	3852329	1	Cube	
22	961669	4	Hose clamp	
23		1	Hex. socket screw	
24	946730	8	Hexagon screw	
25	941670	10	Washer	
26	853095	2	Washer	
27		2	Hex. socket screw	
28	963568	2	Hexagon screw	
29	3581556	1	Spacer washer	
30		1	Lock nut	
31	940160	4	Hexagon screw	
32	955896	4	Washer	
33		1	Bracket	See transmission catalogue
34	3581160	1	Bracket	Replaced by 3841849
	3841849	1	Bracket	
35	3842285	1	Engine bed	