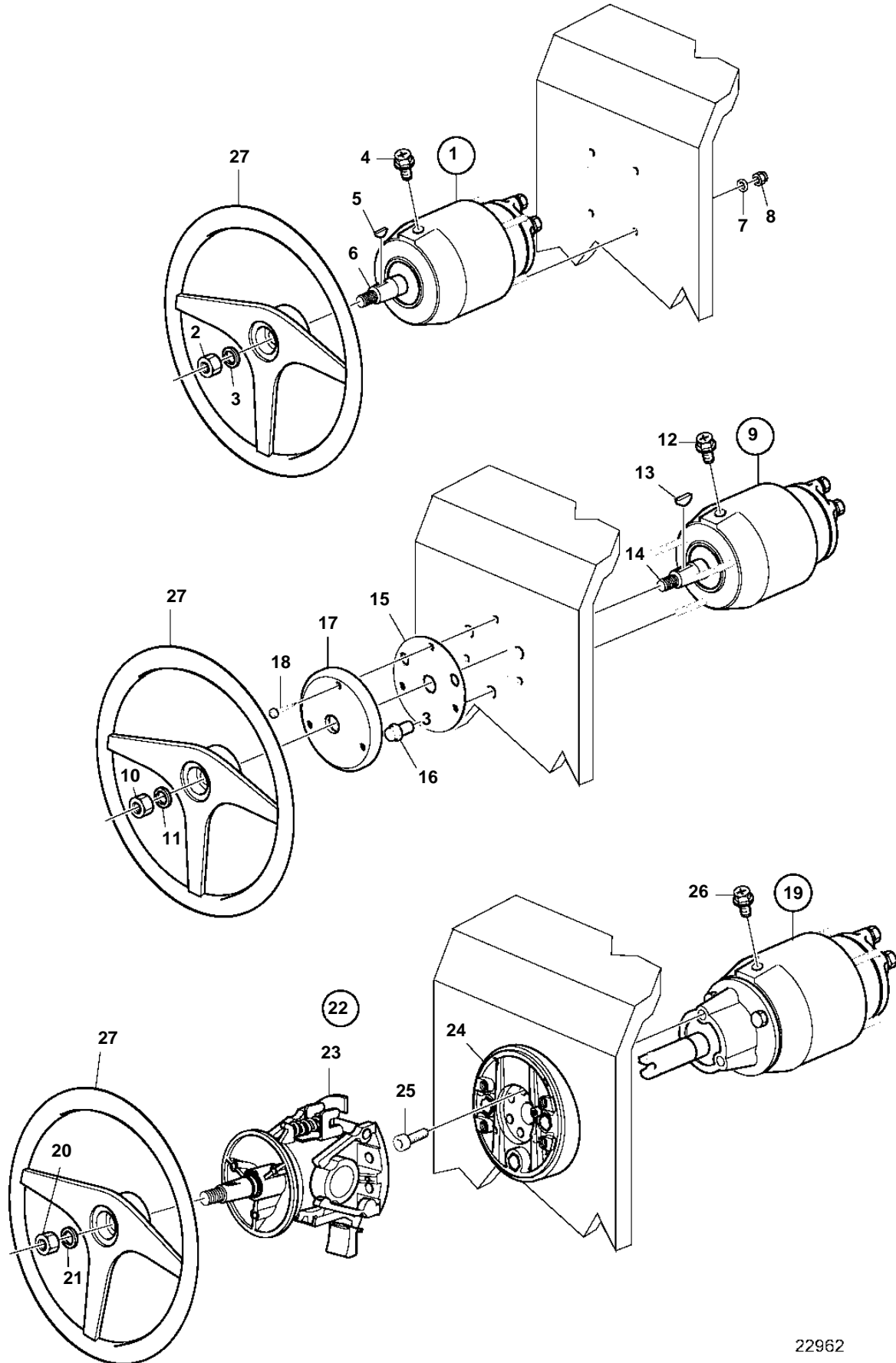


D2-75A, D2-75B, D2-75C, D2-75F



22962

D2-75A, D2-75B, D2-75C, D2-75F

REF	PART NO.	QTY	DESCRIPTION	NOTES
1	3809971	1	Pump piston	Front mounted., 28cc
	3809972	1	Pump piston	Front mounted., 33cc
	3809973	1	Pump piston	Front mounted., 39cc
2		1	• Nut	
3		1	• Washer	
4		1	• Plug	
5		1	• Wedge	
6		2	• Elbow nipple	
7		4	• Washer	
8		4	• Lock nut	
9	3809975	1	Pump piston	Rear mounted., 28cc
	3809976	1	Pump piston	Rear mounted., 33cc
	3809977	1	Pump piston	Rear mounted., 39cc
10		1	• Nut	
11		1	• Washer	
12		1	• Plug	
13		1	• Wedge	
14		2	• Elbow nipple	
15		1	• Bracket	
16		3	• Screw	
17		1	• Cover	
18		3	• Screw	
19	3809978	1	Pump piston	Tilt mounted steering., 28cc
	21135046	1	Pump piston	Tilt mounted steering., 33cc
	3809980	1	Pump piston	Tilt mounted steering., 39cc
20		1	• Nut	
21		1	• Washer	
22	3841280	1	• Steering wheel adjus	
23		1	• • Steering wheel adjus	
24		1	• • Bracket	
25		3	• • Allen head screw	
26		1	• Plug	
27	3843317	1	Wheel	ALT
	850936	1	Steering wheel	ALT