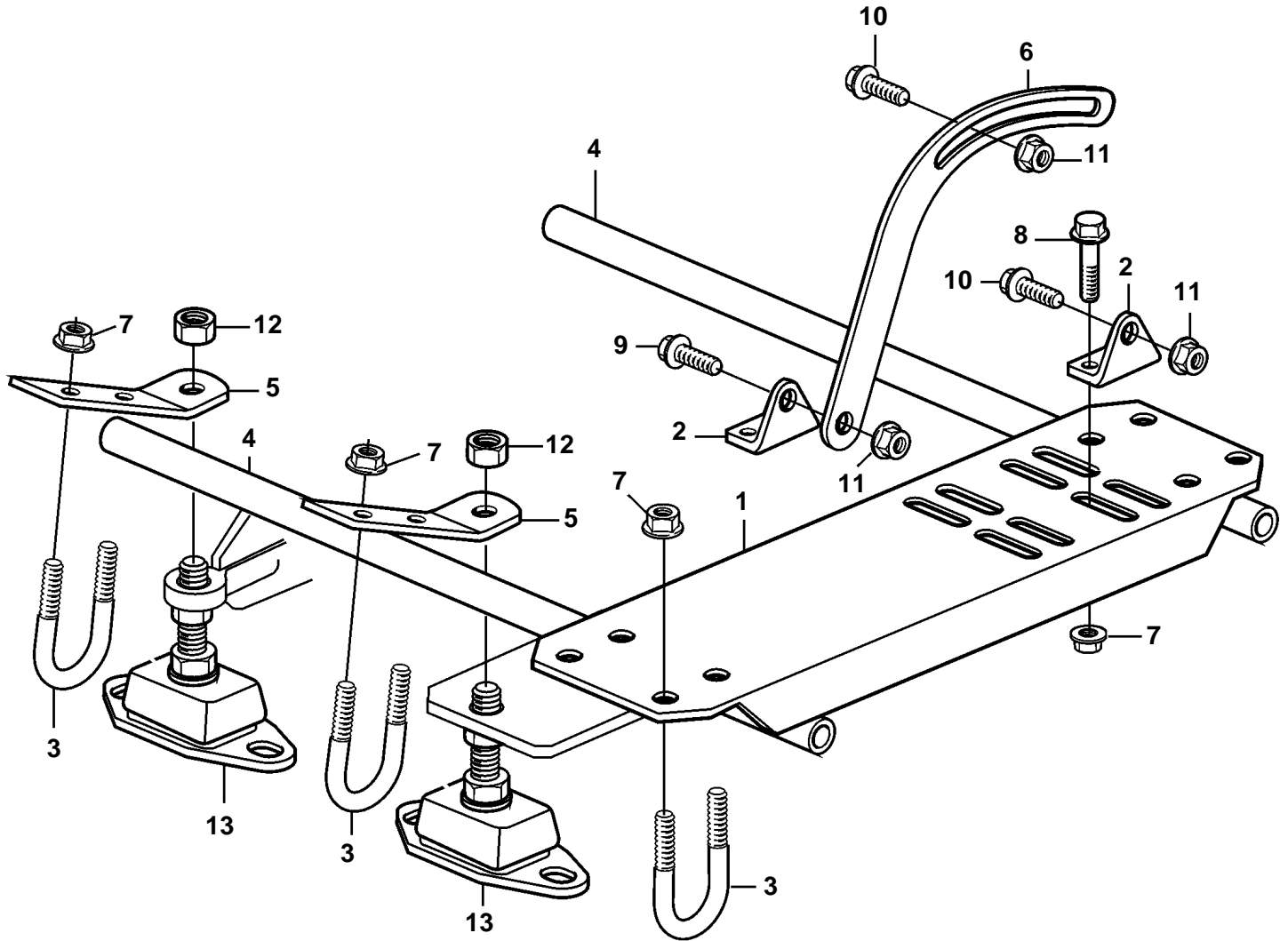


D2-75A, D2-75B, D2-75C, D2-75F



18973

D2-75A, D2-75B, D2-75C, D2-75F

REF	PART NO.	QTY	DESCRIPTION	SEE SEC.
1	3580737	1	Attaching plate	
2	3583848	4	Anchorage	
3	3580739	8	Clamp	
4	3583506	2	Tube	
5	854607	4	Bracket	
6	854608	2	Tensioner	
7	945408	24	Flange nut	
8	945444	8	Flange screw	
9	946329	2	Flange screw	
10	946472	4	Flange screw	
11	971095	6	Flange nut	
12		2	Nut	
				6753
13		2	Rubber cushion	
				6753