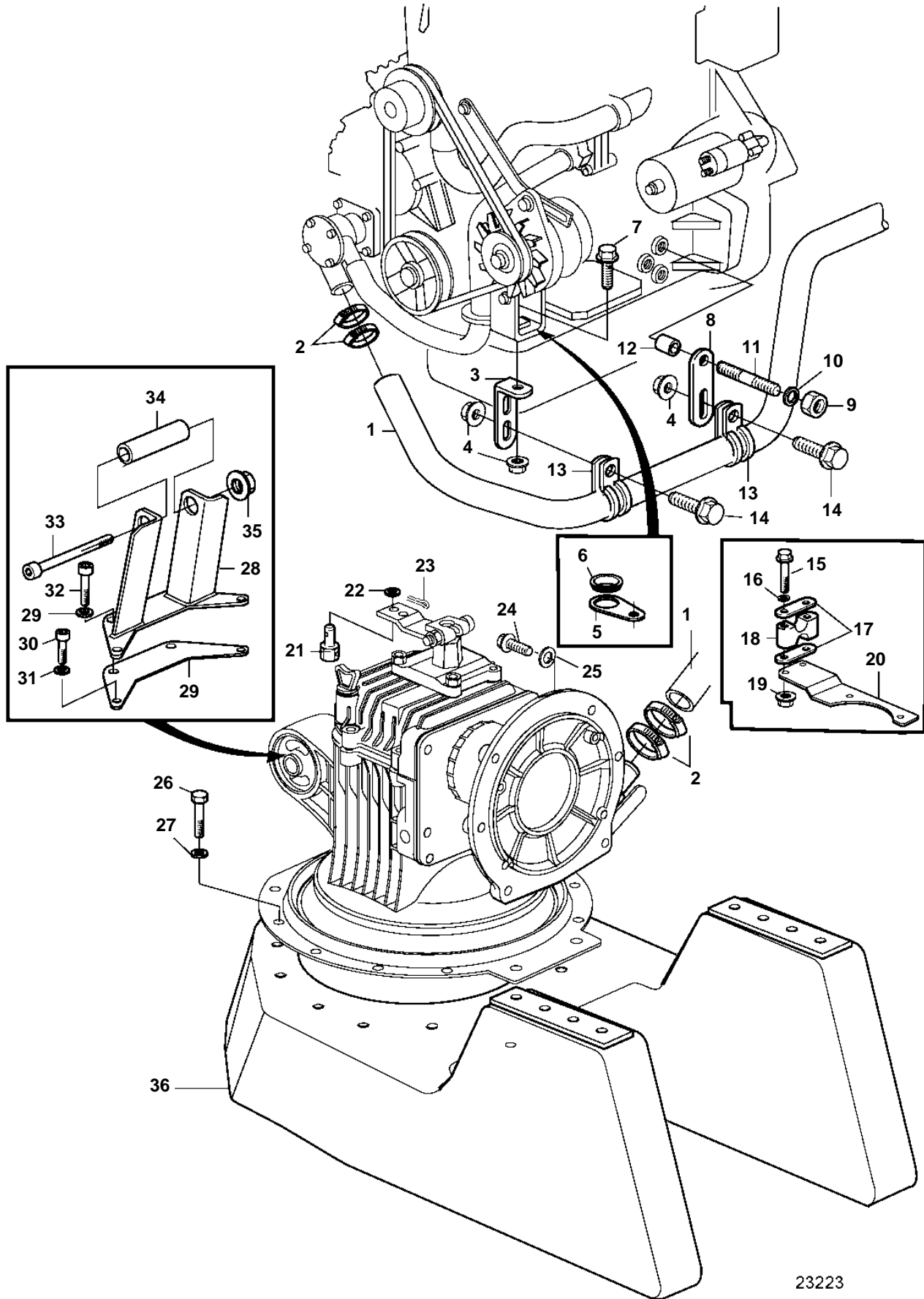


D2-75A, D2-75B, D2-75C, D2-75F



23223

D2-75A, D2-75B, D2-75C, D2-75F

REF	PART NO.	QTY	DESCRIPTION	NOTES
1	3584417	1	Hose	For S-drive 150S/SR.
2	961669	2	Hose clamp	
3	965555	1	Bracket	
4	945408	3	Flange nut	
5		1	Stay	
6		1	Grommet	
7	946671	1	Flange screw	
8	965535	1	Bracket	
9	3583789	1	Nut	
10		1	Washer	
11	924083	1	Stud	
12	3582401	1	Adapter	
13	949850	2	Clamp	
14	946440	2	Flange screw	
15	969439	2	6 point socket screw	
16	940090	2	Washer	
17	872076	2	Washer	
18	872074	2	Retainer	
19	949874	2	Flange lock nut	(946577)
20		1	Bracket	See transmission catalogue
21	3852329	1	Cube	
22	941906	1	Spring washer	
23	17276	1	Split pin	
24	940160	4	Hexagon screw	
25	955896	4	Washer	
26	946730	8	Hexagon screw	
27	941670	10	Washer	
28	3841849	1	Bracket	(3581160)
29	3581556	1	Spacer washer	
30	963568	2	Hexagon screw	(963708)
31	853095	2	Washer	
32	959240	2	Hex. socket screw	
33	970983	1	Hexagon screw	(959268)
34	943707	1	Hose	
35	971084	1	Lock nut	(946810)
36	3842285	1	Engine bed	(3583120)