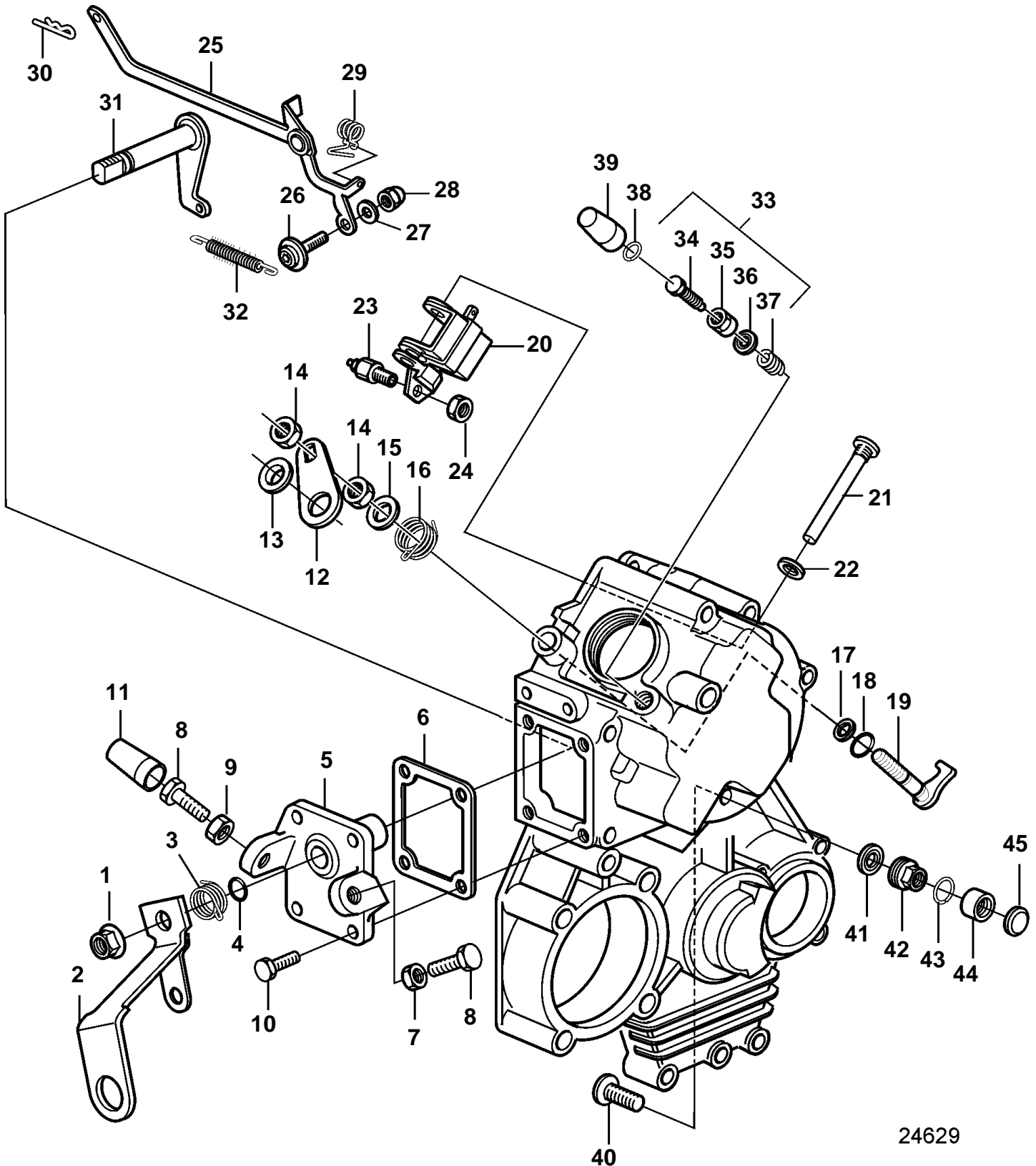


D2-75F



24629

## D2-75F

| REF | PART NO. | QTY | DESCRIPTION        | NOTES |
|-----|----------|-----|--------------------|-------|
| 1   | 21246409 | 1   | Flange nut         |       |
| 2   | 21187771 | 1   | Intermediate lever |       |
| 3   | 21189685 | 1   | Return spring      |       |
| 4   | 3580035  | 1   | O-ring             |       |
| 5   | 21187772 | 1   | Bracket            |       |
| 6   | 21189675 | 1   | Gasket             |       |
| 7   | 955781   | 1   | Hexagon nut        |       |
| 8   | 3583762  | 2   | Screw              |       |
| 9   | 3583763  | 1   | Nut                |       |
| 10  | 21246651 | 4   | Hexagon screw      |       |
| 11  | 3583761  | 1   | Cardboard tube     |       |
| 12  | 21192501 | 1   | Intermediate lever |       |
| 13  | 843109   | 1   | Bushing            |       |
| 14  | 955782   | 2   | Hexagon nut        |       |
| 15  | 21246676 | 1   | Washer             |       |
| 16  | 3580048  | 1   | Spring             |       |
| 17  | 3580047  | 1   | O-ring             |       |
| 18  | 3580046  | 1   | Lock ring          |       |
| 19  | 3580045  | 1   | Arm                |       |
| 20  | 21187328 | 1   | Lever              |       |
| 21  | 21187733 | 1   | Shaft              |       |
| 22  | 3580598  | 1   | Sealing washer     |       |
| 23  |          |     |                    |       |
| 25  | 21193787 | 1   | Intermediate lever |       |
| 26  | 21187723 | 1   | Shaft              |       |
| 27  | 11991    | 1   | Gasket             |       |
| 28  | 21246490 | 1   | Cap nut            |       |
| 29  | 21189686 | 1   | Spring             |       |
| 30  | 3580032  | 1   | Locking pin        |       |
| 31  | 21187738 | 1   | Arm                |       |
| 32  | 21193276 | 1   | Main spring        |       |
| 33  | 21189171 | 1   | Adjusting screw    | D2-55 |
|     | 21191838 | 1   | Adjusting screw    | D2-75 |
| 34  |          | 1   | · Setting bolt     |       |
| 35  | 3583779  | 1   | · Nut              |       |
| 36  | 3580087  | 1   | · Sealing ring     |       |
| 37  |          | 1   | · Spring           | D2-55 |
|     | 21191839 | 1   | · Spring           | D2-75 |
| 38  | 21246336 | 1   | Lock ring          |       |
| 39  | 3840969  | 1   | Cardboard tube     |       |
| 40  | 21192093 | 1   | Adjusting screw    |       |
| 41  | 11991    | 1   | Gasket             |       |
| 42  | 21246369 | 1   | Nut                |       |
| 43  |          |     |                    |       |
| 44  | 21275201 | 1   | Body               |       |
| 45  |          |     | Lock               |       |