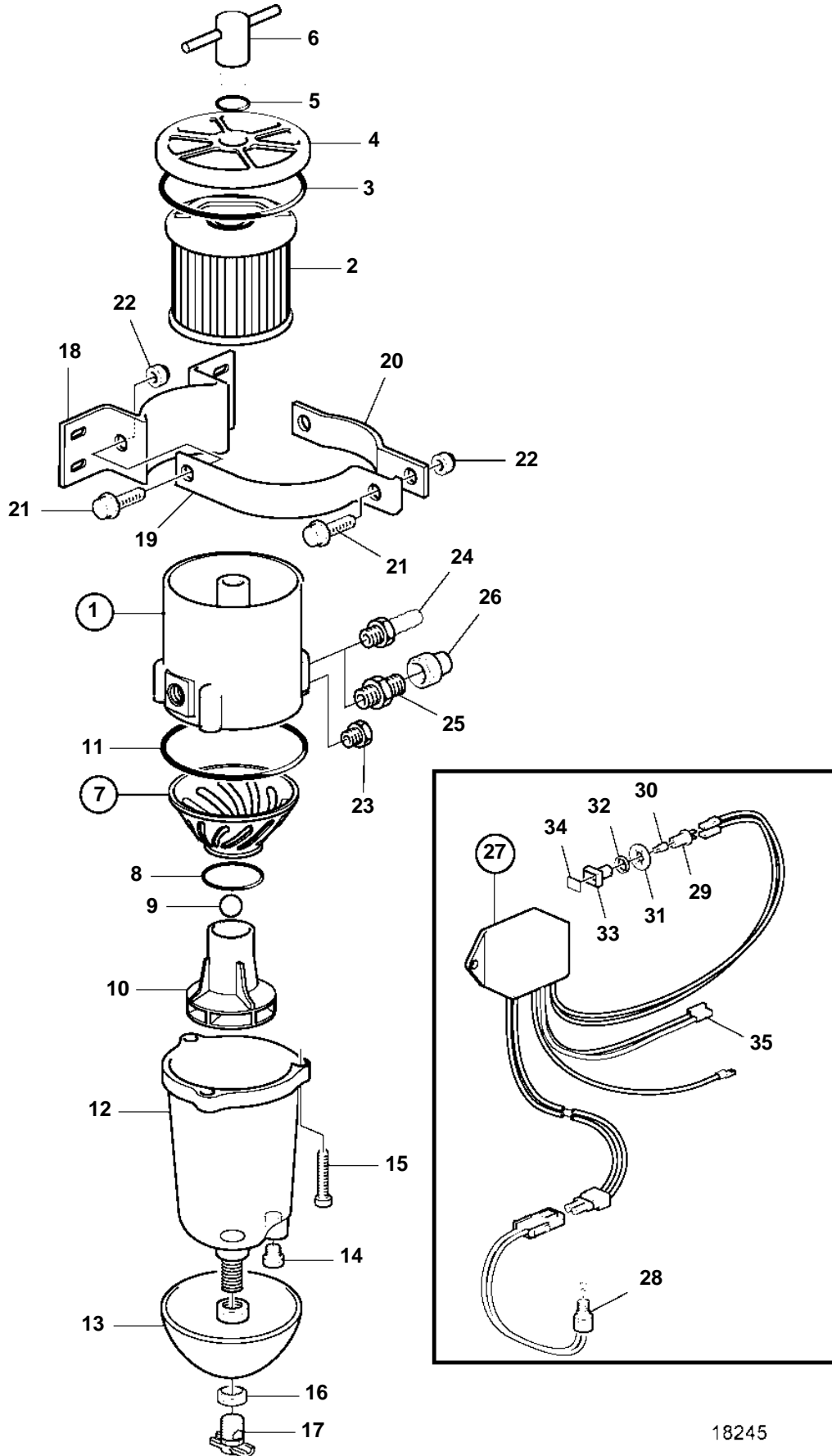


D2-75A, D2-75B, D2-75C, D2-75F



18245

D2-75A, D2-75B, D2-75C, D2-75F

| REF | PART NO. | QTY | DESCRIPTION | SEE SEC. | NOTES |
|-----|----------|-----|------------------------|-----------|---------------------------------|
| 1 | 3582350 | 1 | Fuel filter | | Repl by 877763 |
| | | | · Bulletin 50-11A | 50-11A-EN | Fuel Filters / Water Separators |
| 1 | 877763 | 1 | Fuel filter | | |
| | | | | 9025 | |
| 2 | 861014 | 1 | · Insert | | |
| 3 | 838504 | 1 | · Gasket | | |
| 4 | | 1 | · Lock | | |
| 5 | 838505 | 1 | · O-ring | | |
| 6 | | 1 | · Handle | | |
| 7 | 861455 | 1 | · O-ring | | |
| 8 | | 1 | · · O-ring | | |
| 9 | | 1 | · · Ball | | |
| 10 | | 1 | · · Insert | | |
| 11 | 3838861 | 1 | · · Gasket | | (838502) |
| 12 | 861457 | 1 | Bowl | | |
| 13 | | 1 | · Heat shield | | |
| 14 | | 1 | · Plug | | |
| 15 | 950024 | 4 | · Cross recessed screw | | |
| 16 | 861459 | 2 | · Nut | | |
| 17 | | 1 | · Faucet | | |
| 18 | | 1 | · Bracket | | |
| 19 | | 1 | · Clamp | | |
| 20 | | 1 | · Clamp | | |
| 21 | | 3 | · Screw | | |
| 22 | | 3 | · Nut | | |
| 23 | | 1 | · Plug | | |
| 24 | 3825000 | X | Hose nipple | | (834781) |
| 25 | 954337 | X | Nipple | | |
| 26 | 954323 | X | Fitting nut | | |
| 27 | 1140724 | 1 | Level guard | | (1140609) |
| 28 | 3588916 | 1 | · Alarm kit | | |
| 29 | 808175 | 1 | · Lamp socket | | |
| 30 | 19923 | 1 | · Bulb | | 12V, 2W |
| | 182059 | 1 | · Bulb | | 24V, 3W |
| 31 | 967583 | 1 | · Retainer | | |
| 32 | 829714 | 1 | · Sealing ring | | |
| 33 | 838455 | 1 | · Retainer | | |
| 34 | 872591 | 1 | · Symbol strip | | |
| 35 | | X | · Cables and terminals | 1963 | |