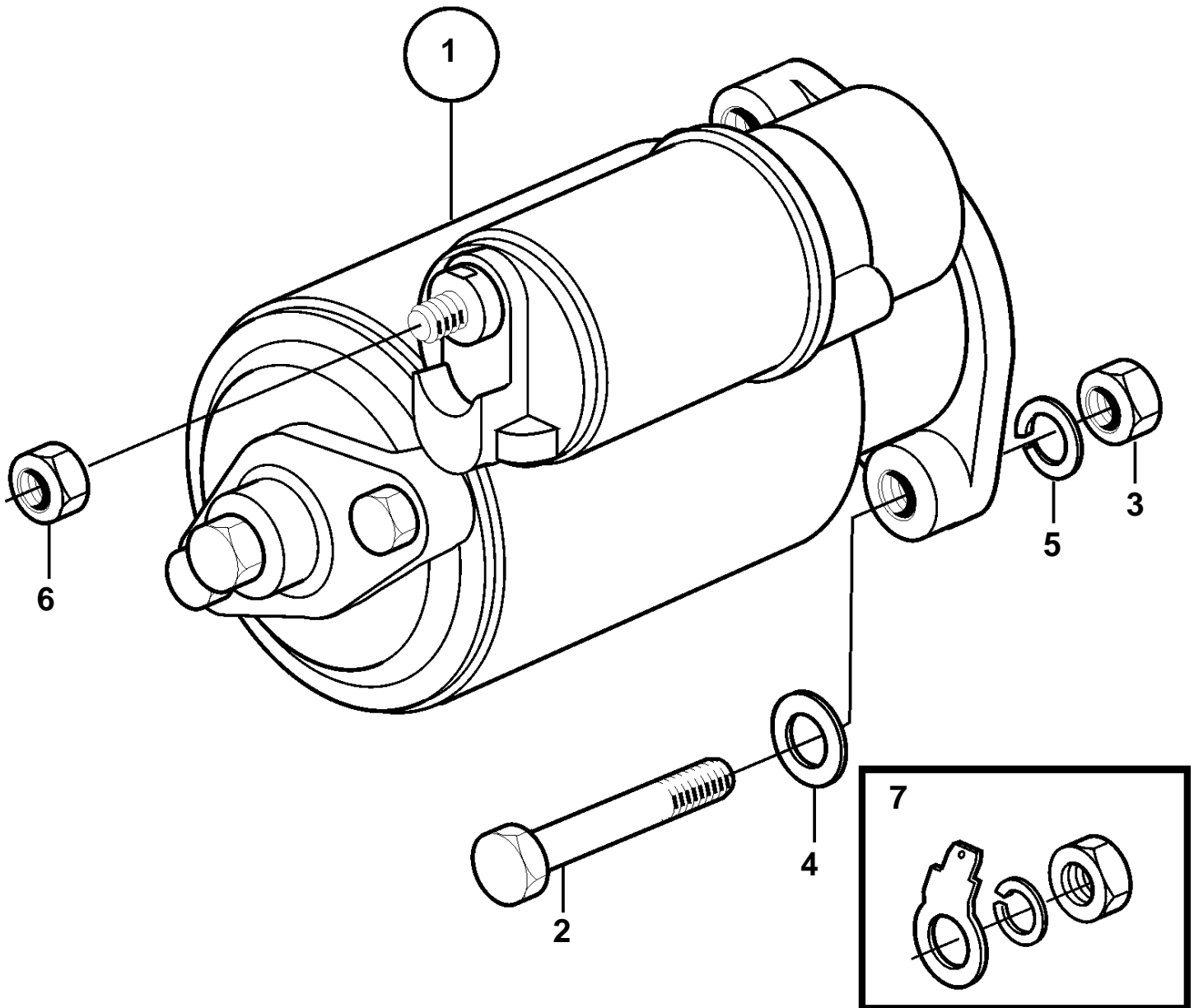


D2-75A, D2-75B, D2-75C, D2-75F



18959

D2-75A, D2-75B, D2-75C, D2-75F

REF	PART NO.	QTY	DESCRIPTION
1	3801351	1	Starter motor, exch
2	970948	2	Hexagon screw
3	948645	2	Flange lock nut
4	3580031	2	Washer
5	3580015	2	Spring washer
6	948645	1	Flange lock nut
7		1	Included material