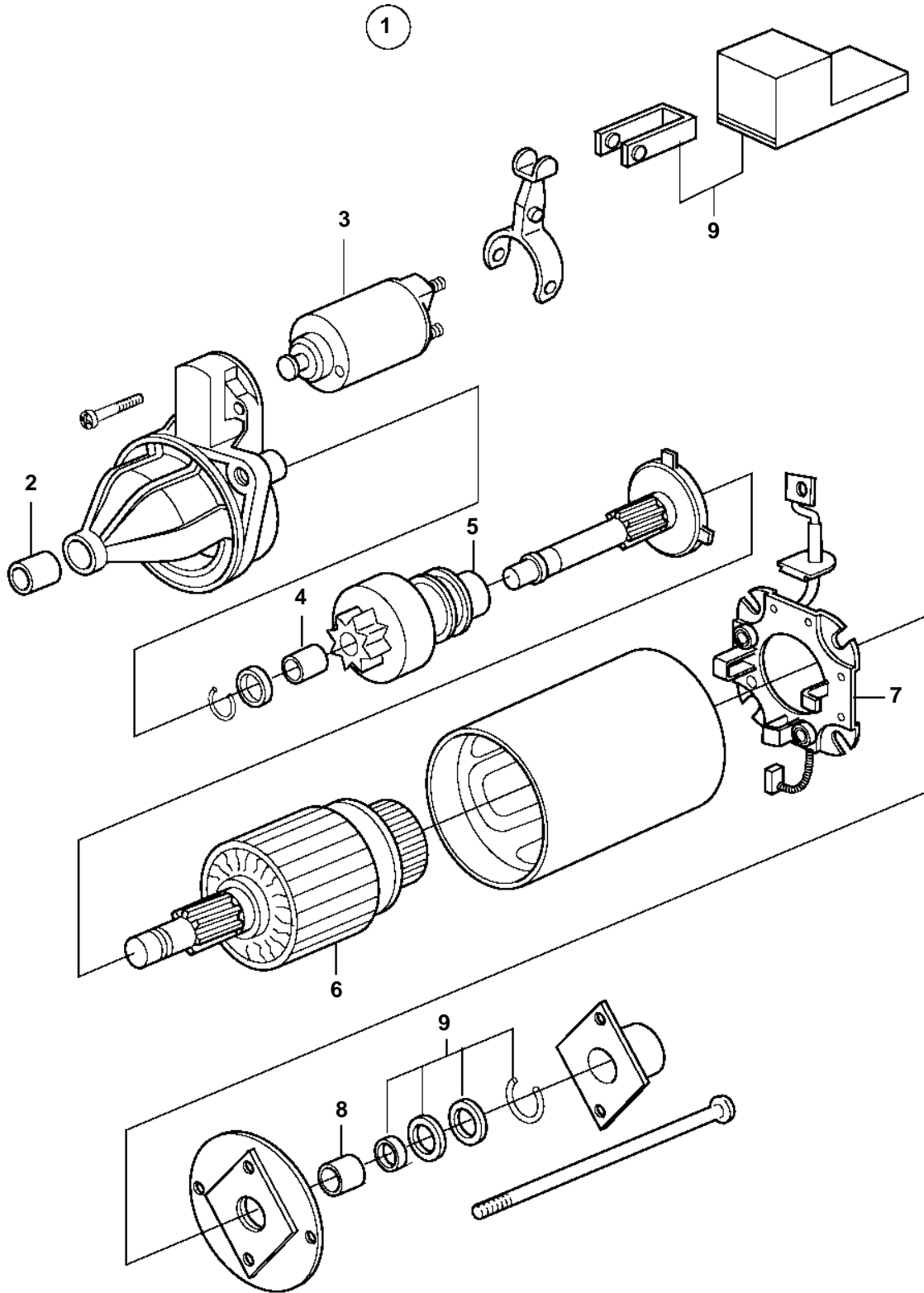


D2-75A, D2-75B, D2-75C, D2-75F



D2-75A, D2-75B, D2-75C, D2-75F

REF	PART NO.	QTY	DESCRIPTION
1	3583555	1	Starter motor
	3803929	1	Starter motor, exch, exch
2	3583744	1	· Bushing
3	3583745	1	· Starter relay
4	3583746	1	· Bushing
5	3583747	1	· Starter pinion
6		1	· Rotor
7	3583749	1	· Brush retainer
8	3583751	1	· Bushing
9		1	· Washer kit