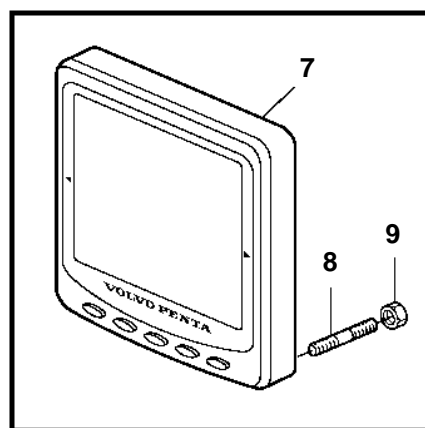
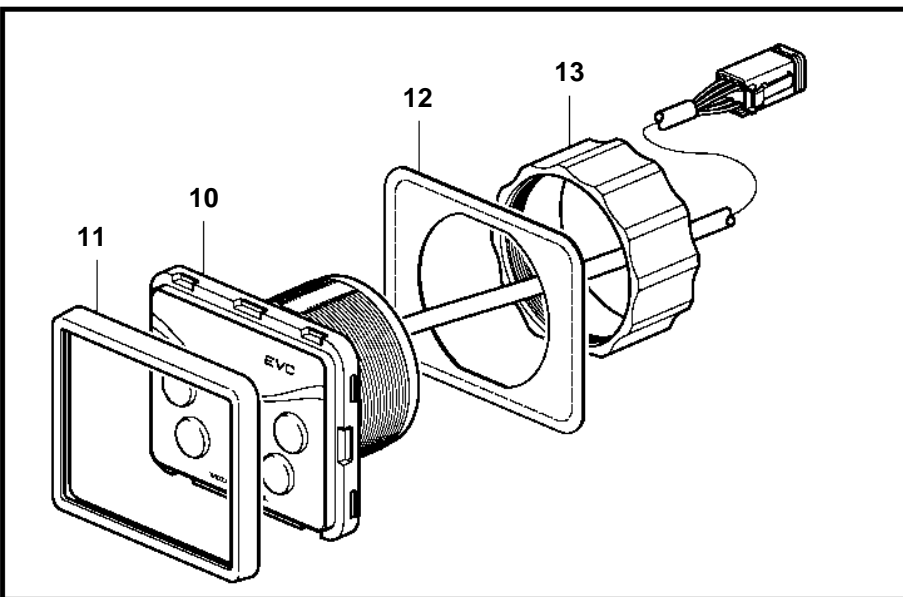
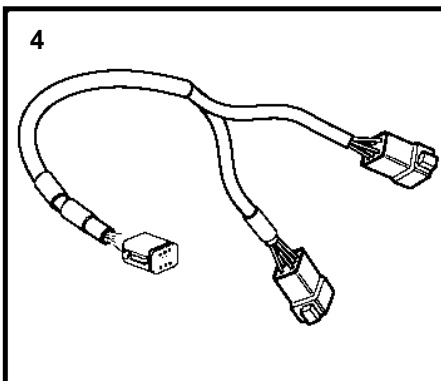
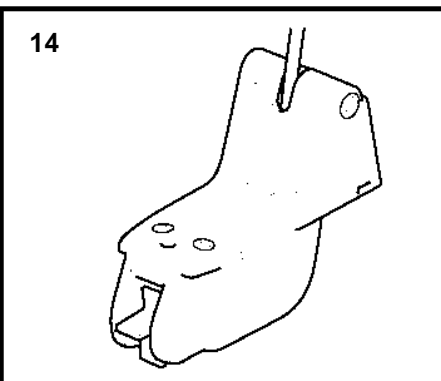
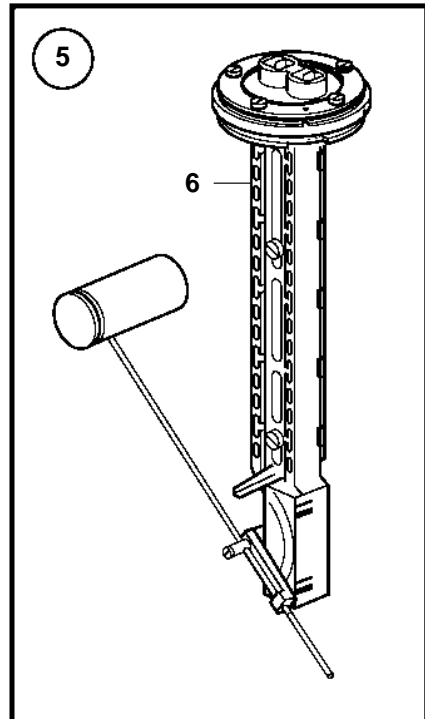
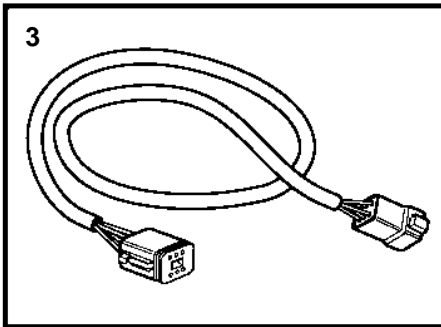
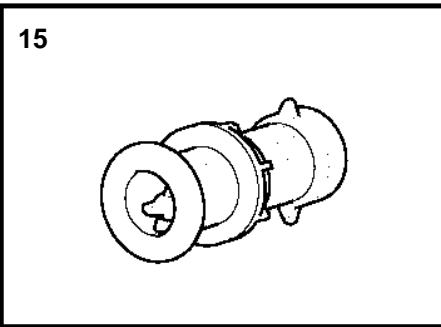
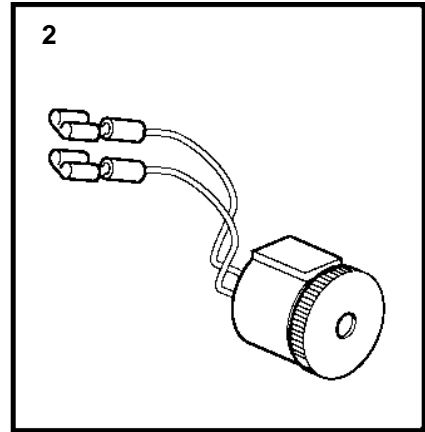
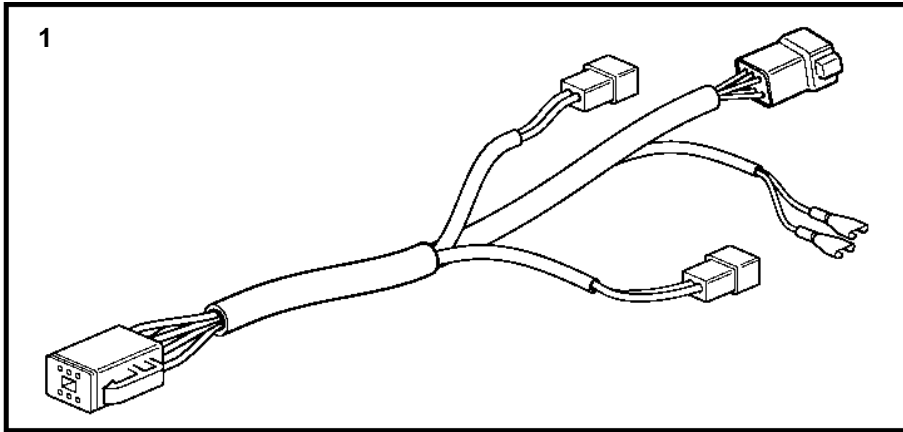


D2-75B, D2-75C, D2-75F



23570

D2-75B, D2-75C, D2-75F

REF	PART NO.	QTY	DESCRIPTION	NOTES
1	3888589	1	Wiring harness	
2	3817974	1	Alarm	
3	3842733	1	Extension cable'verl	L=3000mm
	3842734	1	Extension cable'verl	L=5000mm
	3842735	1	Extension cable'verl	L=7000mm
	3842736	1	Extension cable'verl	L=9000mm
	3842737	1	Extension cable'verl	L=11000mm
4	3588206	1	Cable kit, y-split	
	874760	1	Cable kit	For secondary helm station
5	3812291	1	Sensor kit	
6	873772	1	· Tank sensor	
7	3884818	1	Display	
8	830928	4	· Stud	
9	830930	4	· Nut	
10	21144348	1	Control panel	
11	3808131	1	· Frame	
12	3808135	1	· Gasket	
13	3808134	1	· Nut	
14	3587055	1	Kit	
15	3587054	1	Kit	