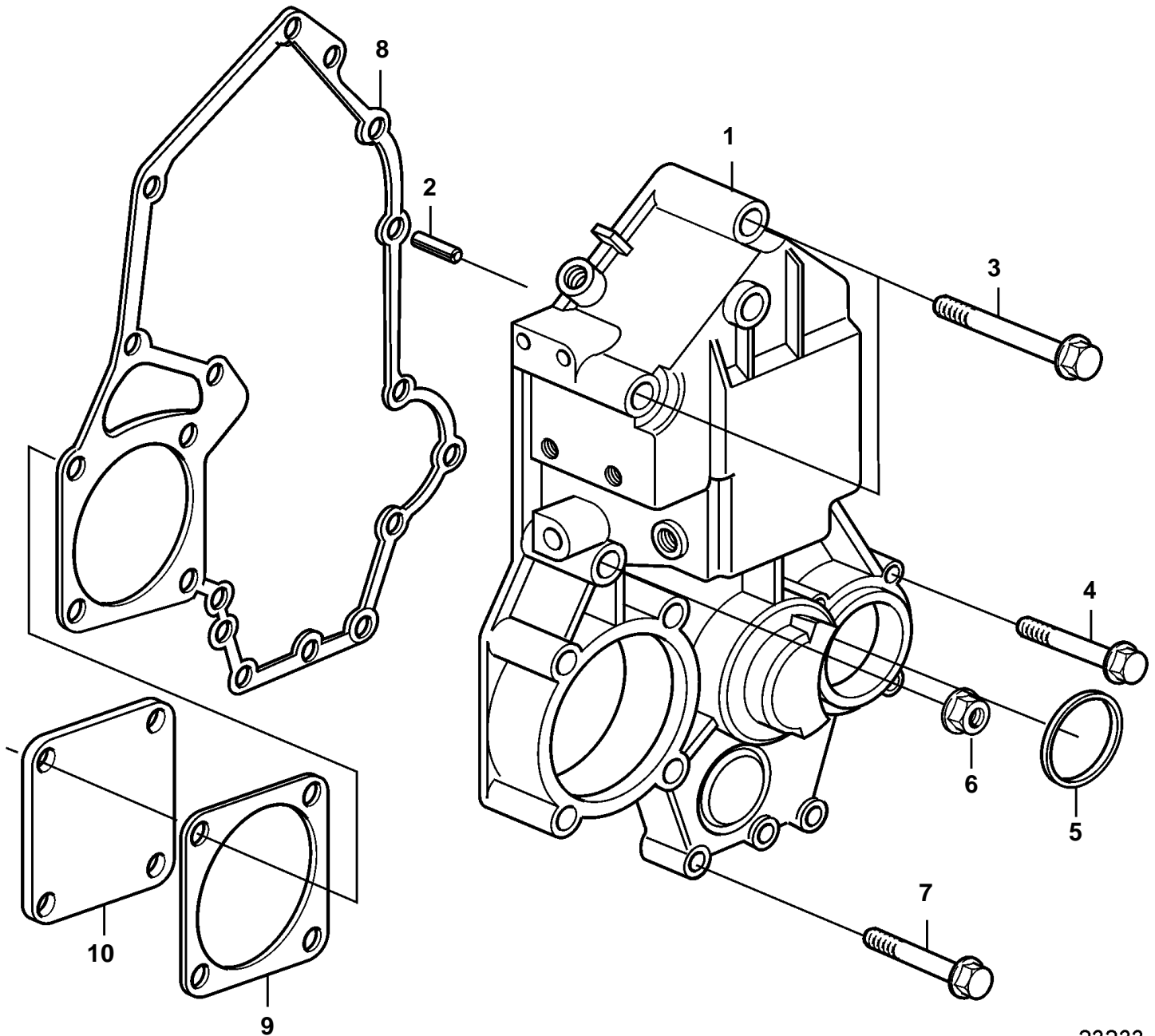


D2-75A



23233

D2-75A

REF	PART NO.	QTY	DESCRIPTION	NOTES
1	3583550	1	Timing gear casing	
2		1	• Spring pin	
3	861899	2	Flange screw	
4	965178	3	Flange screw	(3580054)
5	3580586	1	Sealing ring	
6	945407	1	Flange nut	
7	3580371	7	Screw	
8	3583710	1	Gasket	
9	3580378	1	Gasket	
10	3583714	1	Cover	