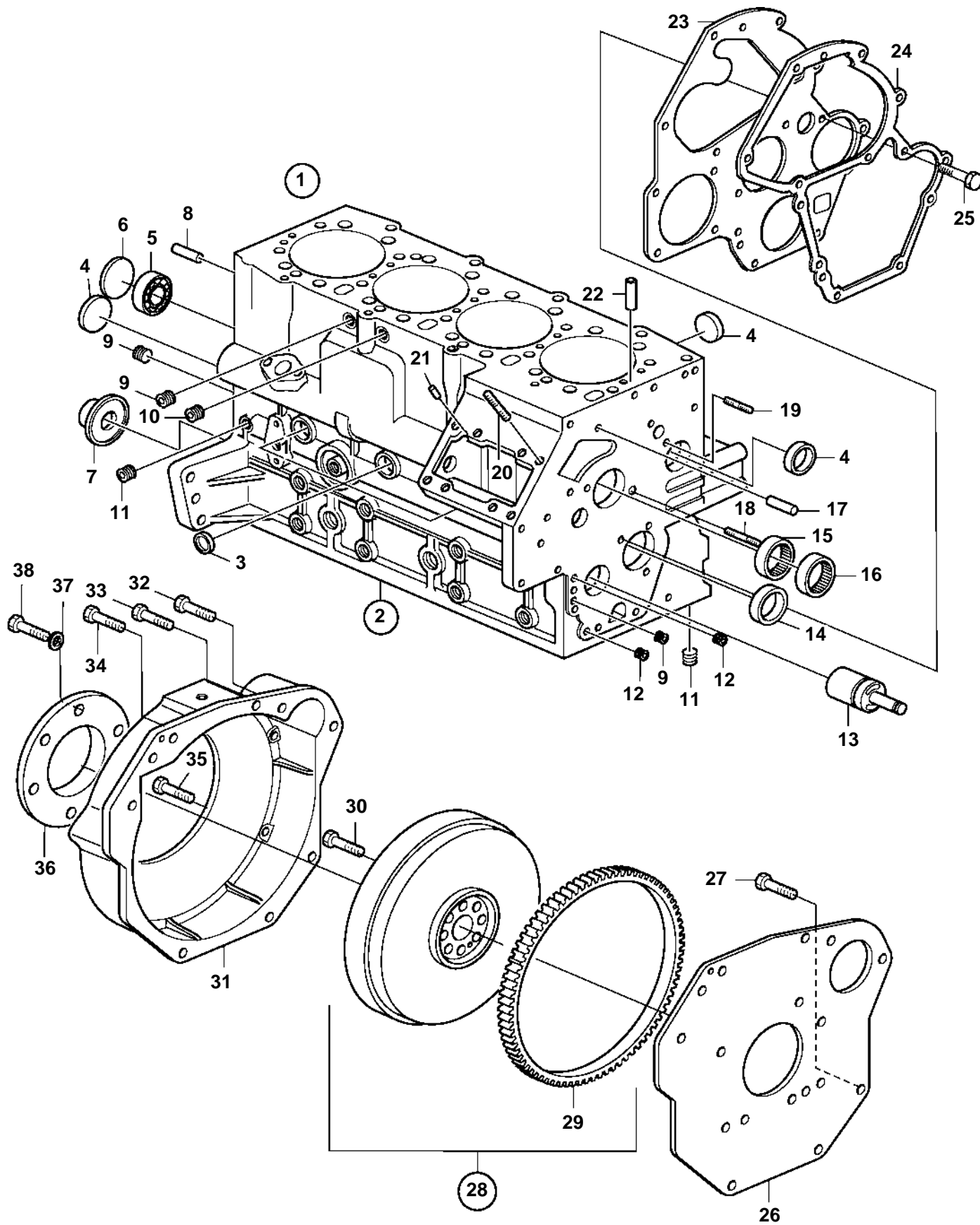


D2-75A



D2-75A

REF	PART NO.	QTY	DESCRIPTION
1		1	Cylinder block
2	3584102	1	· Cylinder block
3	3580281	2	· · Plug
4	3580282	3	· · Plug
5	861812	1	· Ball bearing
6	861813	1	· Expansion plug
7	3583700	1	· Seal
8		2	· Pin
9	861806	3	· Plug
10	3583699	2	· Plug
11		3	· Plug
12	3580455	2	· Plug
13	3583704	1	· Shaft
14	3583701	1	· Bushing
15	3583702	1	· Needle bearing
16	3583703	1	· Needle bearing
17		2	· Pin
18	3583708	1	· Stud
19	3583709	1	· Stud
20	3583705	3	· Stud
21		1	· Pin
22	861818	2	· Spring pin
23		1	Front plate
24	3583707	1	Gasket
25	861526	2	Screw
26	3583724	1	Plate
27	861870	10	Screw
28	3583691	1	Flywheel
29	3583850	1	· Gear ring
30	3580561	6	Screw
31	3587360	1	Flywheel housing
32	3583726	2	Screw
33	3583727	6	Screw
34	11998890	4	Screw
35	3583728	2	Screw
36		1	Flexible coupling
37	3808568	6	Spacer washer
38	959223	6	Screw