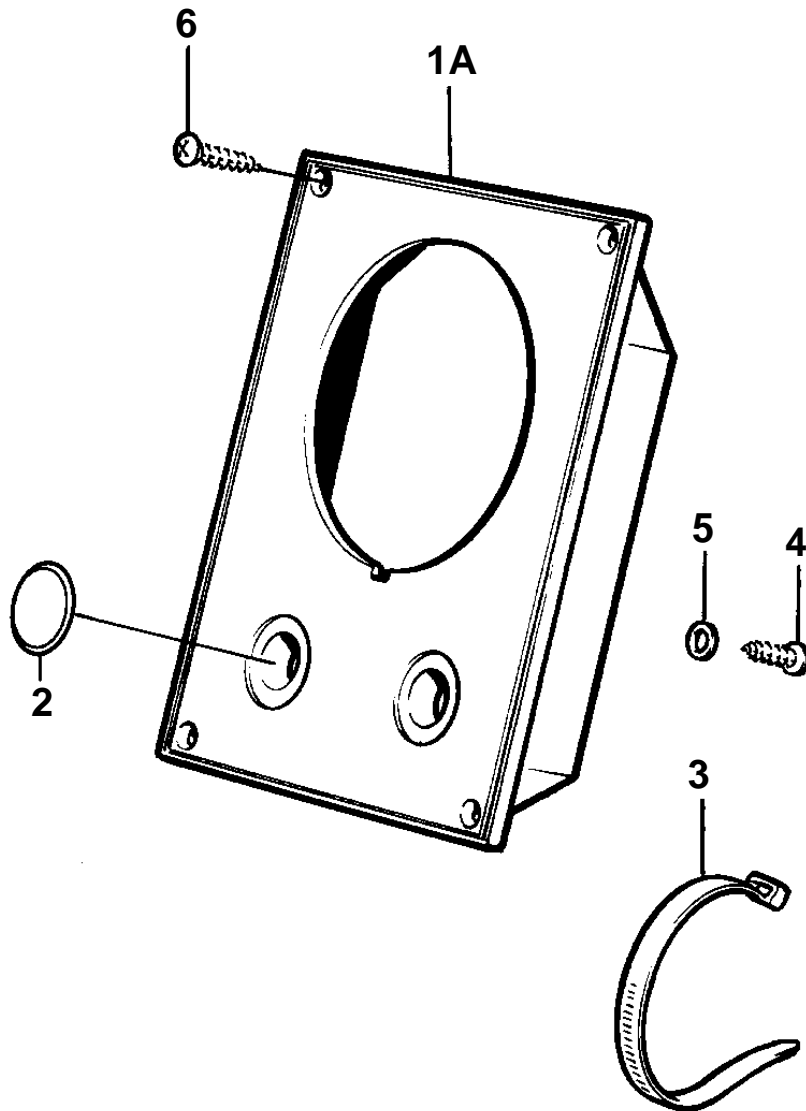


①



10528

D2-75A

REF	PART NO.	QTY	DESCRIPTION	NOTES
1		1	Instrument panel	For instruments with D=52mm. REPLACED BY 858873
1A		1	· Instrument panel	
2	828607	2	· Cover plate	
3	949666	1	· Strip clamp	
4	949947	1	· Screw	
5	941904	1	· Spring washer	
6	828647	4	· Screw	