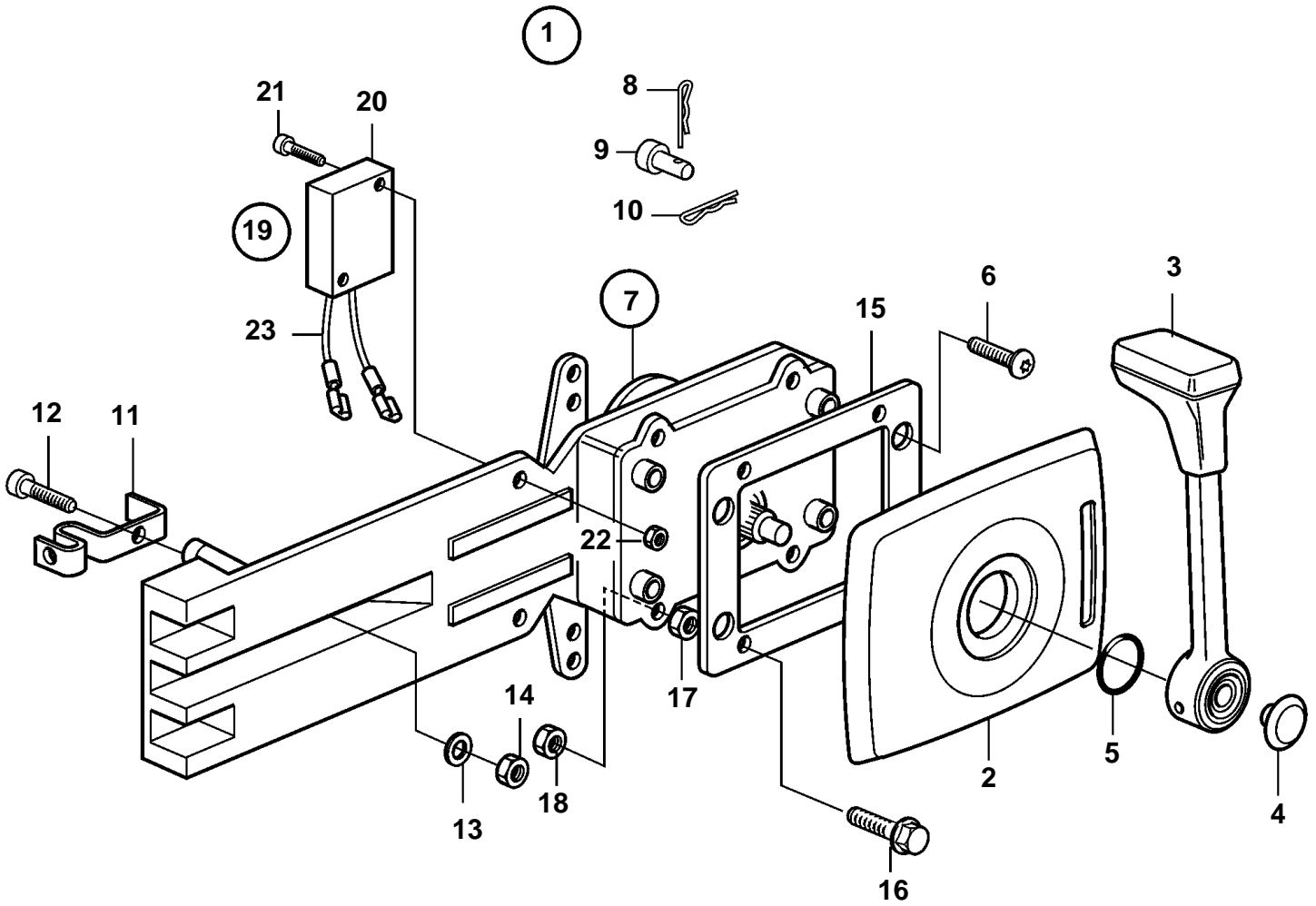


D2-75A



22852

D2-75A

REF	PART NO.	QTY	DESCRIPTION	SEE SEC.
1	1140090	1	Mounting kit	
2	853713	1	· Cover	
3	852347	1	· Lever	
				266
4	853004	1	· Push button	
5	925058	1	· O-ring	
6	961330	4	· Screw	
7	1140095	1	Control mechanism	
8	17253	2	· Cotter pin	
9	839638	2	· Cube	
10	852924	1	· Clip	
11	853423	1	· Retainer	
12	839664	1	· Screw	
13	940275	1	· Washer	
14	946435	1	· Lock nut	
15		1	· Attaching plate	
16	963548	4	· Screw	
17		4	· Nut	
18	946435	4	· Lock nut	
19	855352	1	Neutral posit contac	
20	850200	1	· Switch	
21	946177	2	· Screw	
22	947536	2	· Nut	
23		X	· Cables and terminals	1963