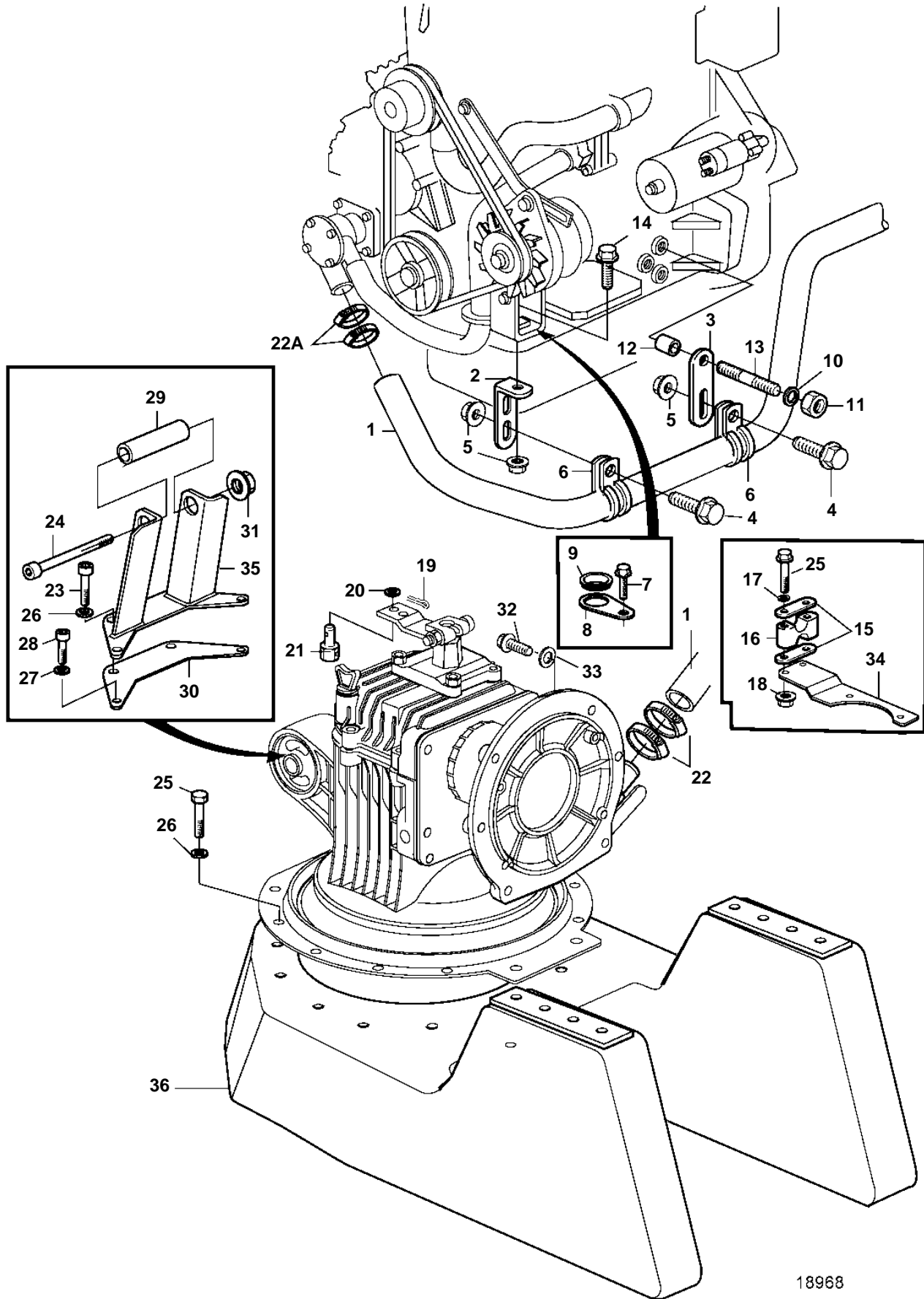


D2-55A, D2-55B, D2-55C, D2-55D, D2-55E, D2-55F



18968

D2-55A, D2-55B, D2-55C, D2-55D, D2-55E, D2-55F

REF	PART NO.	QTY	DESCRIPTION	NOTES
1	3583076	1	Hose	For S-drive MS25S/SR.
2	965555	1	Bracket	
3	965535	1	Bracket	
4	946440	2	Flange screw	
5	945408	3	Flange nut	
6	949850	2	Clamp	
7	946671	1	Flange screw	
8		1	Stay	
9		1	Grommet	
10	845988	1	Spacer sleeve	
11	3583789	1	Nut	
12	3582401	1	Adapter	
13	924083	1	Stud	
14	969439	2	6 point socket screw	
15	872076	2	Washer	
16	872074	1	Retainer	
17	940090	2	Washer	
18	949874	1	Flange lock nut	(946577)
19	17276	1	Split pin	
20	941906	1	Spring washer	
21	3852329	1	Cube	
22	961667	4	Hose clamp	
22A	961669	4	Hose clamp	
23	943707	1	Hose	
24		1	Allen head screw	
25	946730	8	Hexagon screw	
26	941670	10	Washer	
27	853095	2	Washer	
28		2	Allen head screw	
29	963568	2	Hexagon screw	
30	3581556	1	Spacer washer	
31		1	Lock nut	
32	940160	4	Hexagon screw	
	940160	4	Hexagon screw	
33	955896	4	Washer	
34		1	Bracket	See transmission catalogue
35	3841849	1	Bracket	(3581160)
36	3842285	1	Engine bed	(3583120)