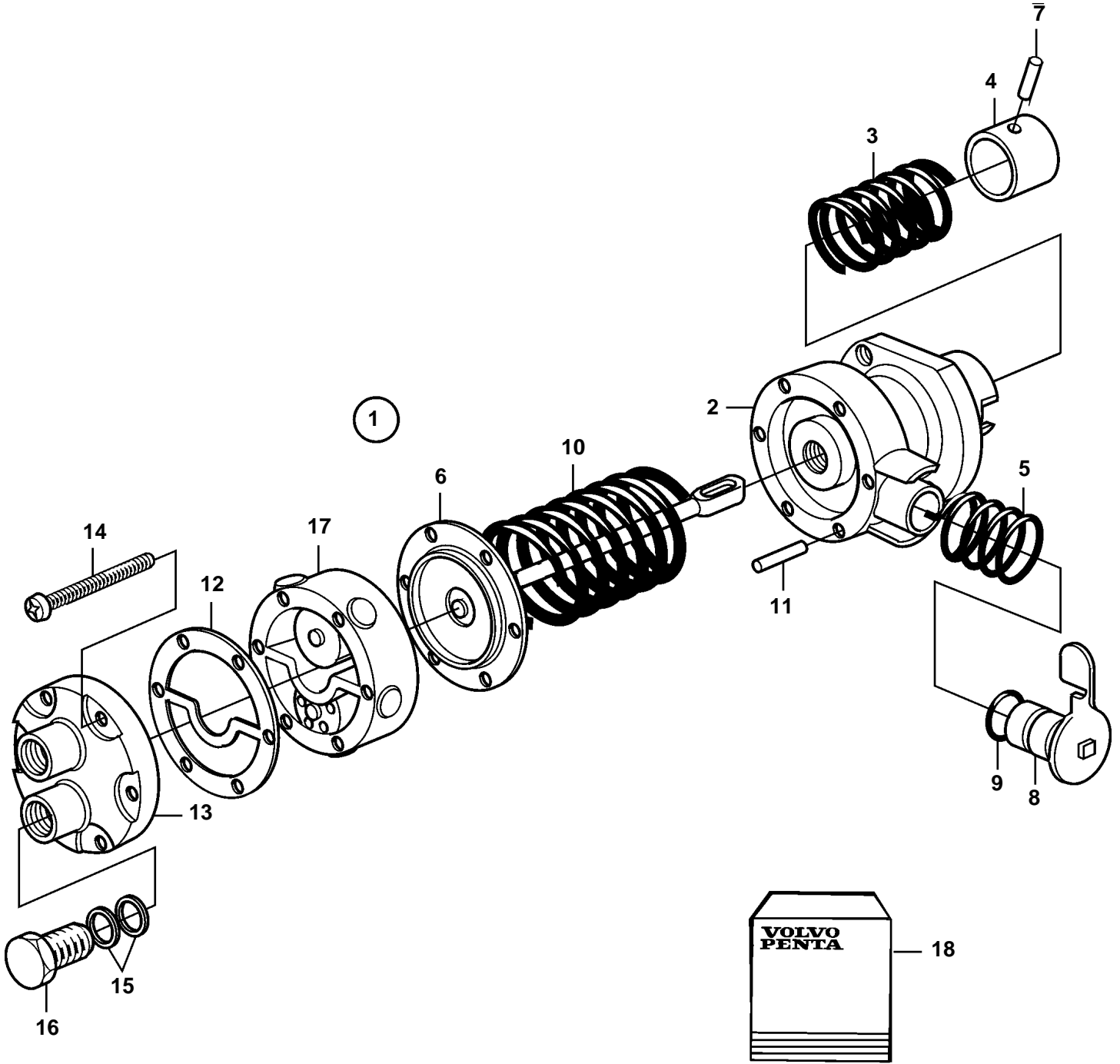


D2-55A



18952

D2-55A

| REF | PART NO. | QTY | DESCRIPTION | NOTES |
|-----|----------|-----|----------------|---------------------------|
| 1 | 3580100 | 1 | Feed pump | |
| 2 | | 1 | · Housing | |
| 3 | | 1 | · Spring | Included in overhaul kit. |
| 4 | | 1 | · Tappet | |
| 5 | | 1 | · Spring | Included in overhaul kit. |
| 6 | | 1 | · Diaphragm | Included in overhaul kit. |
| 7 | | 1 | · Pin | Included in overhaul kit. |
| 8 | | 1 | · Lever | Included in overhaul kit. |
| 9 | 3580197 | 1 | · O-ring | Included in overhaul kit. |
| 10 | | 1 | · Spring | Included in overhaul kit. |
| 11 | | 1 | · Pin | Included in overhaul kit. |
| 12 | 3580200 | 1 | · Gasket | Included in overhaul kit. |
| 13 | | 1 | · Cover | |
| 14 | | 6 | · Screw | |
| 15 | 11992 | 4 | · Gasket | |
| 16 | 3580204 | 2 | · Hollow screw | |
| 17 | | 1 | · Housing | |
| 18 | 876688 | 1 | Repair kit | |