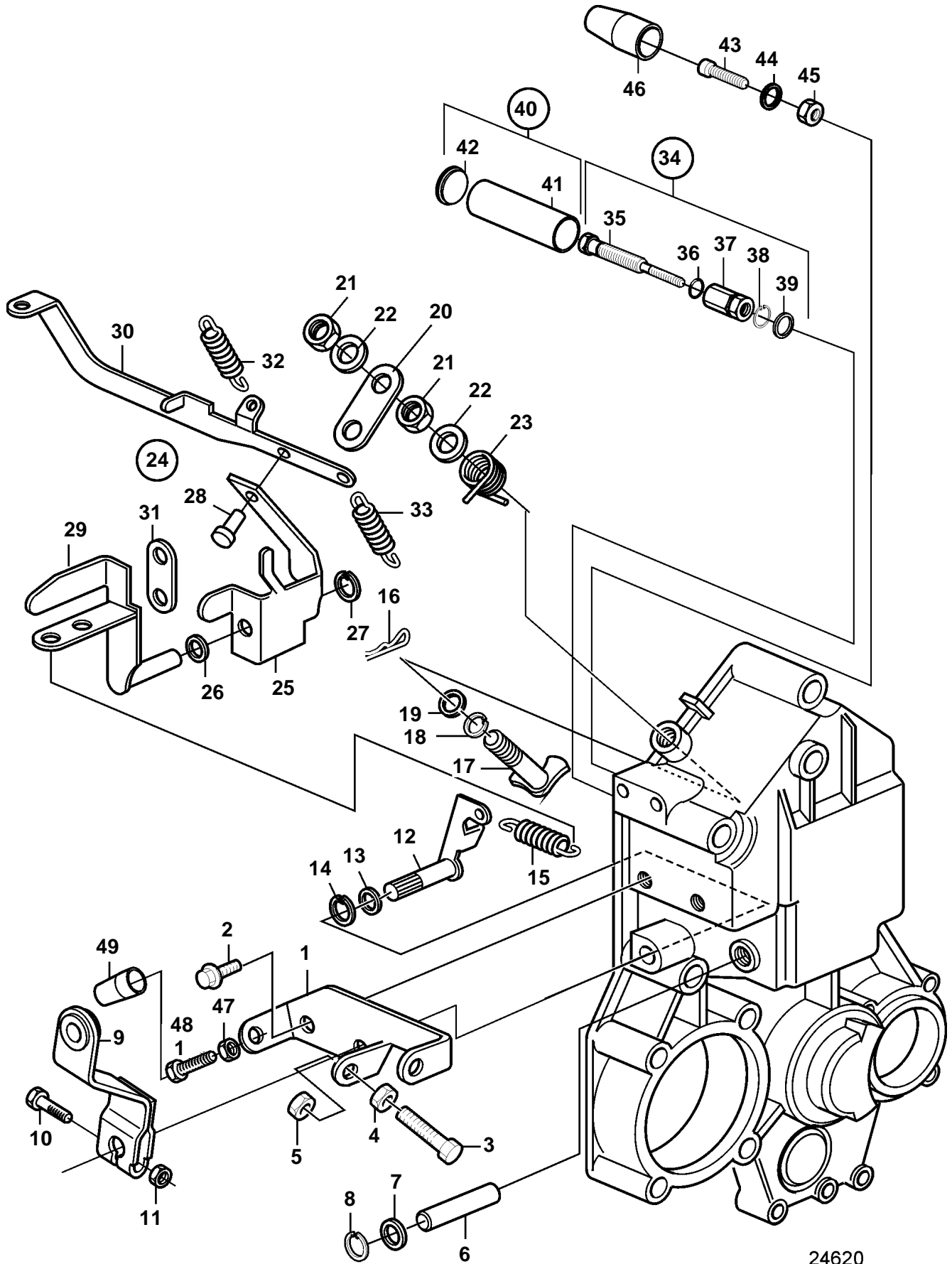


D2-55A, D2-55B, D2-55C, D2-55D, D2-55E



24620

D2-55A, D2-55B, D2-55C, D2-55D, D2-55E

REF	PART NO.	QTY	DESCRIPTION	NOTES
1	3580042	1	Stay	
2	3580581	2	Screw	
3		1	Screw	
4	955781	1	Hexagon nut	
5		1	Nut	
6	3583759	1	Shaft	
7	3580040	2	O-ring	
8	3580041	1	Lock ring	
9	3580036	1	Intermediate lever	
10	955275	1	Hexagon screw	
11	945407	1	Flange nut	
12	3580034	1	Arm	
13	3580035	1	O-ring	
14	3580030	1	Lock ring	
15	3819063	1	Spring	(3580376)
16	3580032	1	Locking pin	
17	3580045	1	Arm	
18	3580046	1	Lock ring	
19	3580047	1	O-ring	
20	3580051	1	Intermediate lever	
21	955782	2	Hexagon nut	
22	191172	2	Washer	
23	3580048	1	Spring	
24	3583736	1	Intermediate lever	
25		1	• Lever	
26	3580031	1	• Washer	
27	3580030	1	• Lock ring	
28		1	• Pin	
29		1	Lever	
30		1	Lever	
31		1	Washer	
32	3580735	1	Spring	
33	3580058	1	Spring	
34	3583770	1	Screw	
35		1	• Screw	
36	3583772	1	• O-ring	
37		1	• Nut	
38		1	• Lock ring	
39	3580087	1	• Sealing ring	
40	3584083	1	Sleeve	
41		1	• Sleeve	
42		1	• Cap	
43	3583778	1	Screw	
44	3580087	1	Sealing ring	
45	3583779	1	Nut	
46	3583777	1	Cardboard tube	
47	3583761		Cardboard tube	
48	3583762		Screw	
49	3583763		Nut	