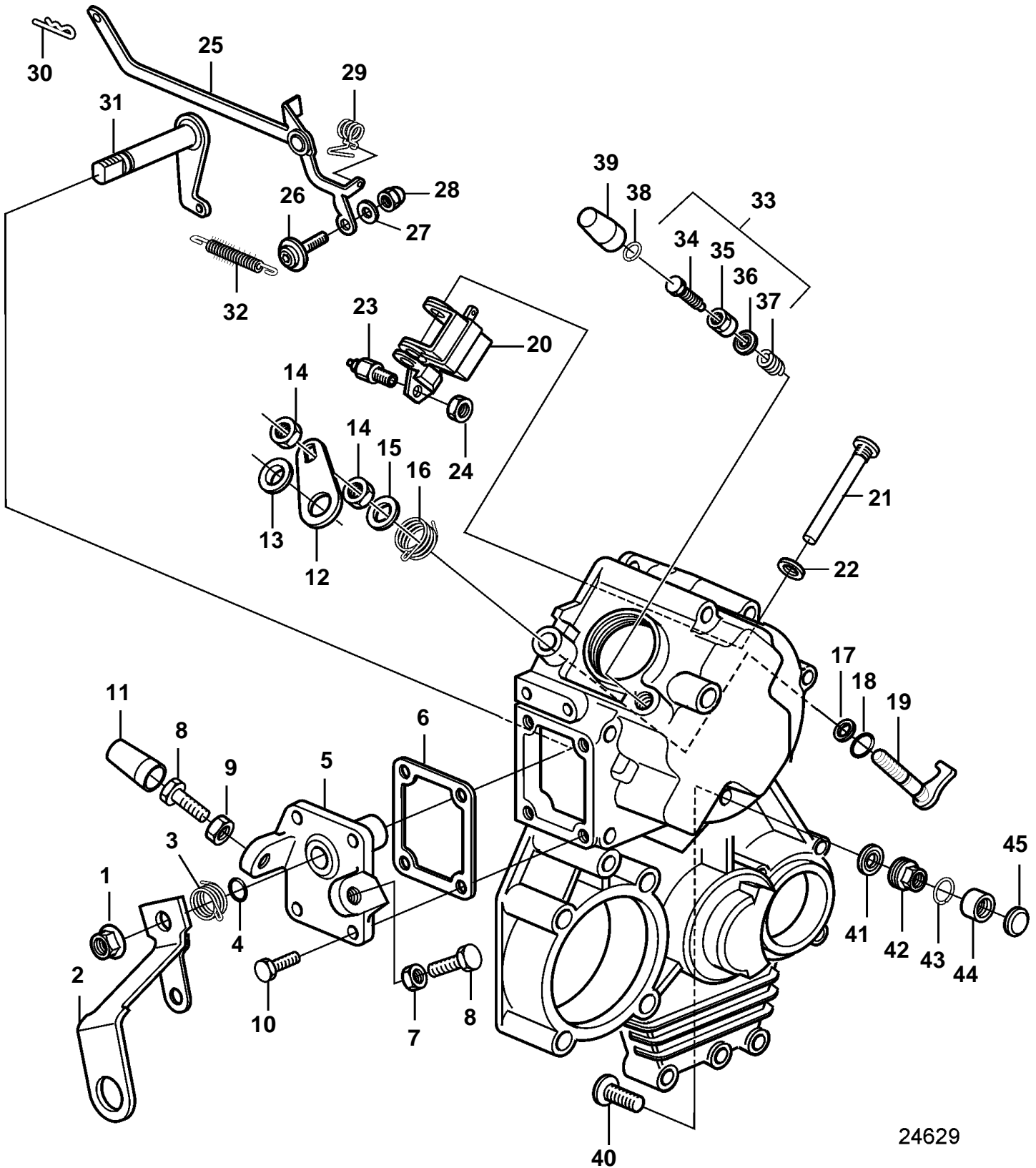


D2-55F



24629

## D2-55F

REF	PART NO.	QTY	DESCRIPTION	NOTES
1	21246409	1	Flange nut	
2	21187771	1	Intermediate lever	
3	21189685	1	Return spring	
4	3580035	1	O-ring	
5	21187772	1	Bracket	
6	21189675	1	Gasket	
7	955781	1	Hexagon nut	
8	3583762	2	Screw	
9	3583763	1	Nut	
10	21246651	4	Hexagon screw	
11	3583761	1	Cardboard tube	
12	21192501	1	Intermediate lever	
13	843109	1	Bushing	
14	955782	2	Hexagon nut	
15	21246676	1	Washer	
16	3580048	1	Spring	
17	3580047	1	O-ring	
18	3580046	1	Lock ring	
19	3580045	1	Arm	
20	21187328	1	Lever	
21	21187733	1	Shaft	
22	3580598	1	Sealing washer	
23				
25	21193787	1	Intermediate lever	
26	21187723	1	Shaft	
27	11991	1	Gasket	
28	21246490	1	Cap nut	
29	21189686	1	Spring	
30	3580032	1	Locking pin	
31	21187738	1	Arm	
32	21193276	1	Main spring	
33	21189171	1	Adjusting screw	D2-55
	21191838	1	Adjusting screw	D2-75
34		1	· Setting bolt	
35	3583779	1	· Nut	
36	3580087	1	· Sealing ring	
37		1	· Spring	D2-55
	21191839	1	· Spring	D2-75
38	21246336	1	Lock ring	
39	3840969	1	Cardboard tube	
40	21192093	1	Adjusting screw	
41	11991	1	Gasket	
42	21246369	1	Nut	
43				
44	21275201	1	Body	
45			Lock	