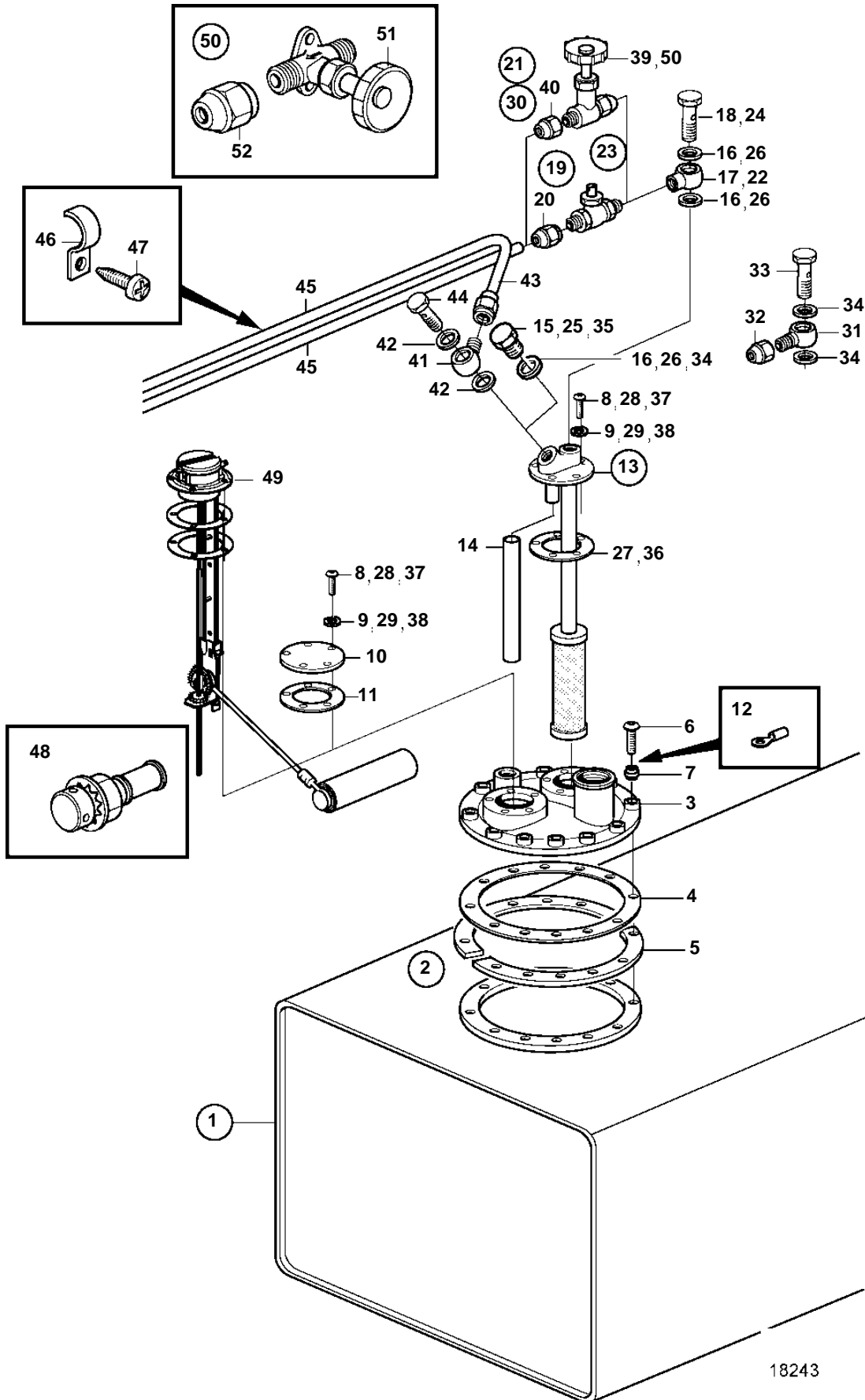


D2-55A, D2-55B, D2-55C, D2-55D, D2-55E, D2-55F



D2-55A, D2-55B, D2-55C, D2-55D, D2-55E, D2-55F

REF	PART NO.	QTY	DESCRIPTION	SEE SEC.	NOTES
1		1	Fuel tank		40L
2	1140063	1	• Cardboard tube		
3	833799	1	• • Cardboard tube		
4	859064	1	• • Gasket		
5	828338	1	• • Flange		
6	956080	12	• • Cross recessed screw		
7	834481	12	• • Gasket		
8	969405	10	• • 6 point socket screw		
9	941905	10	• • Spring washer		
10	833801	1	• • Cardboard tube		
11	89865	1	• • Gasket		
12	881493	1	• • Cable terminal		
13	828341	1	• Suction pipe		L=242mm
	828372	1	• Suction pipe		L=333mm
	828373	1	• Suction pipe		L=458mm
14	941279	1	• • Hose		
15	191830	1	• Plug		
16	957178	3	• Gasket		
17	833857	1	• Banjo nipple		
18	25167	1	• Hollow screw		
19		1	• Shut-off cock		
20	954322	1	• • Fitting nut		
21		1	Connector kit		5/16"
22	833857	1	• Banjo nipple		
23		1	• Shut-off cock		5/16"
24	25167	1	• Hollow screw		
25	191830	1	• Plug		
26	957178	3	• Gasket		
27	89865	1	• Gasket		
28	969405	10	• 6 point socket screw		(956076)
29	941905	10	• Spring washer		
30		1	Connector kit		3/8"
31	191600	1	• Banjo nipple		
32	954323	1	• Fitting nut		
33	25167	1	• Hollow screw		
34	957178	3	• Gasket		
35	191830	1	• Plug		
36	89865	1	• Gasket		
37	969405	10	• 6 point socket screw		(956076)
38	941905	10	• Spring washer		
39	841523	1	• Faucet		3/8"
40	954323	2	• Fitting nut		
41	1140724	1	Level guard		Replaced by 1pc banjo nipple 861101, 1pc nipple 190962 and 1pc cap nut.
42	957178	2	Gasket		
43	807061	1	Cap nut		
44	25167	1	Hollow screw		
45	954305	X	Tube		5/16"
			• Bulletin P-23-4-3	P-23-4-3-EN	Fuel Line 5/16", Copper Pipe
45	1140062	X	Copper tube		3/8"
46	951189	X	Clamp		
47	968476	X	Flange screw		
48		1	Tank valve		
49		1	Tank gauge	21490	D2-55A, D2-55B, D2-55C, D2-75A
		1	Tank gauge	21459	D2-55D, D2-55E, D2-55F, D2-75B, D2-75C, D2-75F
50	838418	1	Fuel tap		3/8"
51	841523	1	• Faucet		
52	954323	2	• Fitting nut		