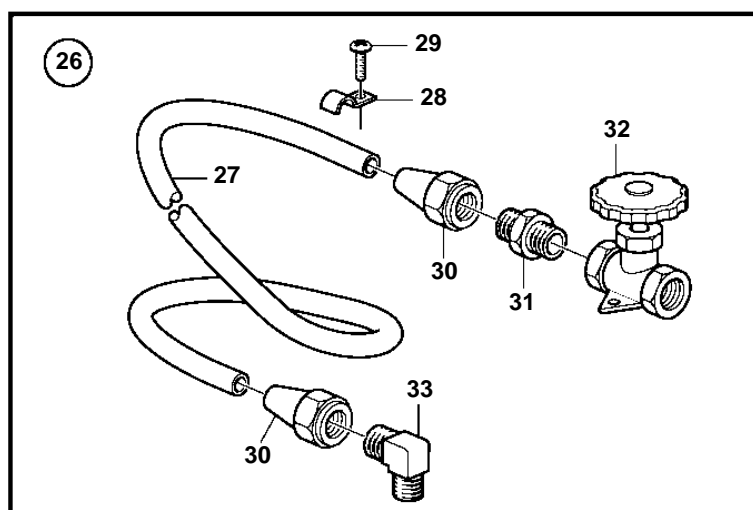
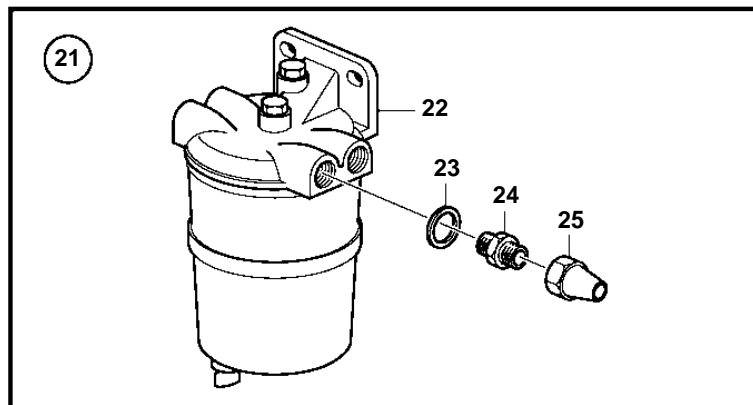
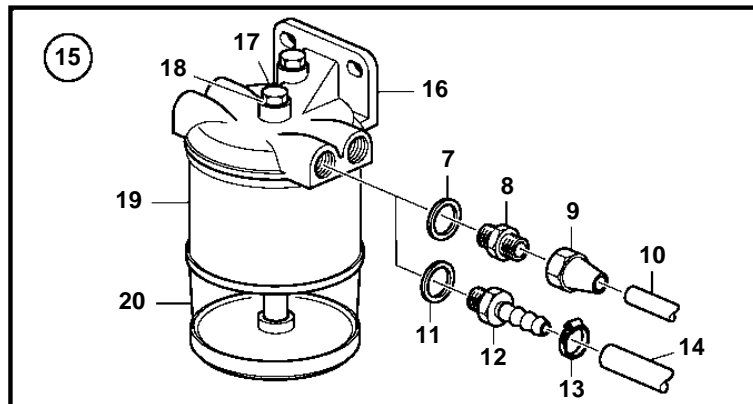
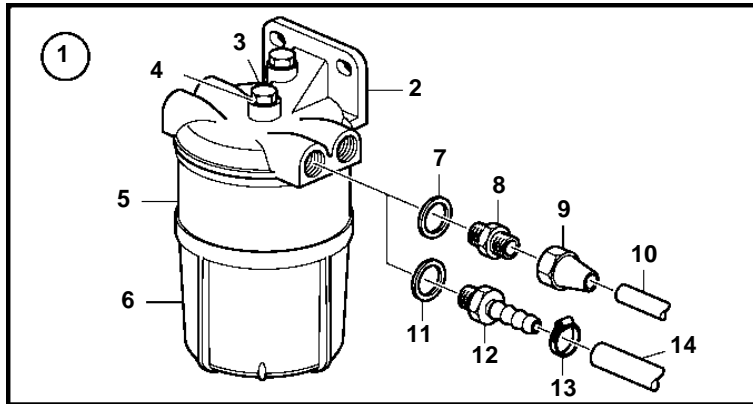


D2-55A, D2-55B, D2-55C, D2-55D, D2-55E, D2-55F



22464

D2-55A, D2-55B, D2-55C, D2-55D, D2-55E, D2-55F

REF	PART NO.	QTY	DESCRIPTION	SEE SEC.	NOTES
1	877766	1	Fuel filter		Fuel filter and water separator., METAL
2		1	• Fuel filter		
			• Bulletin 50-11A	50-11A-EN	Fuel Filters / Water Separators
3	940113	1	• • Hexagon screw		
4	11992	1	• • Gasket		
5	3581078	1	• • Filter insert		
6	3582499	1	• • Bowl		
7	18817	2	Gasket		
8	190962	2	Nipple		5/16"
	954337	2	Nipple		3/8"
9	954322	2	Fitting nut		5/16"
	954323	2	Fitting nut		3/8"
10	954305	X	Tube		Water separator., 5/16"
			• Bulletin P-23-4-3	P-23-4-3-EN	Fuel Line 5/16", Copper Pipe
10	1140062	X	Copper tube		Water separator., 3/8"
11	957177	2	Gasket		
12	3825000	2	Hose nipple		
13	961664	2	Hose clamp		
14	861057	X	Fuel hose		3/8"
			• Bulletin P-23-4-4	P-23-4-4-EN	Fuel Hose P/N 861057
15	877767	1	Fuel filter		PLASTIC
16		1	• Fuel filter		
17	940113	1	• • Hexagon screw		
18	11992	1	• • Gasket		
19	3581078	1	• • Filter insert		
20	3581189	1	• • Bowl		
21	833972	1	Water separator		
22	833971	1	• Water separator		
23	957177	2	• Gasket		
24	191397	2	• Nipple		5/16"
	941438	2	• Nipple		3/8"
25	954322	2	• Fitting nut		5/16"
	954323	2	• Fitting nut		3/8"
26	827912	1	Fuel pipe		5/16"
			• Bulletin P-23-4-3	P-23-4-3-EN	Fuel Line 5/16", Copper Pipe
27	954305	1	• Tube		5/16", L=5000mm
			• Bulletin P-23-4-3	P-23-4-3-EN	Fuel Line 5/16", Copper Pipe
28	951189	15	• Clamp		
29	968476	15	• Flange screw		
30	954322	3	• Fitting nut		5/16"
31	954336	2	• Nipple		5/16"
32	3581708	1	• Faucet		
33	954343	1	• Elbow nipple		