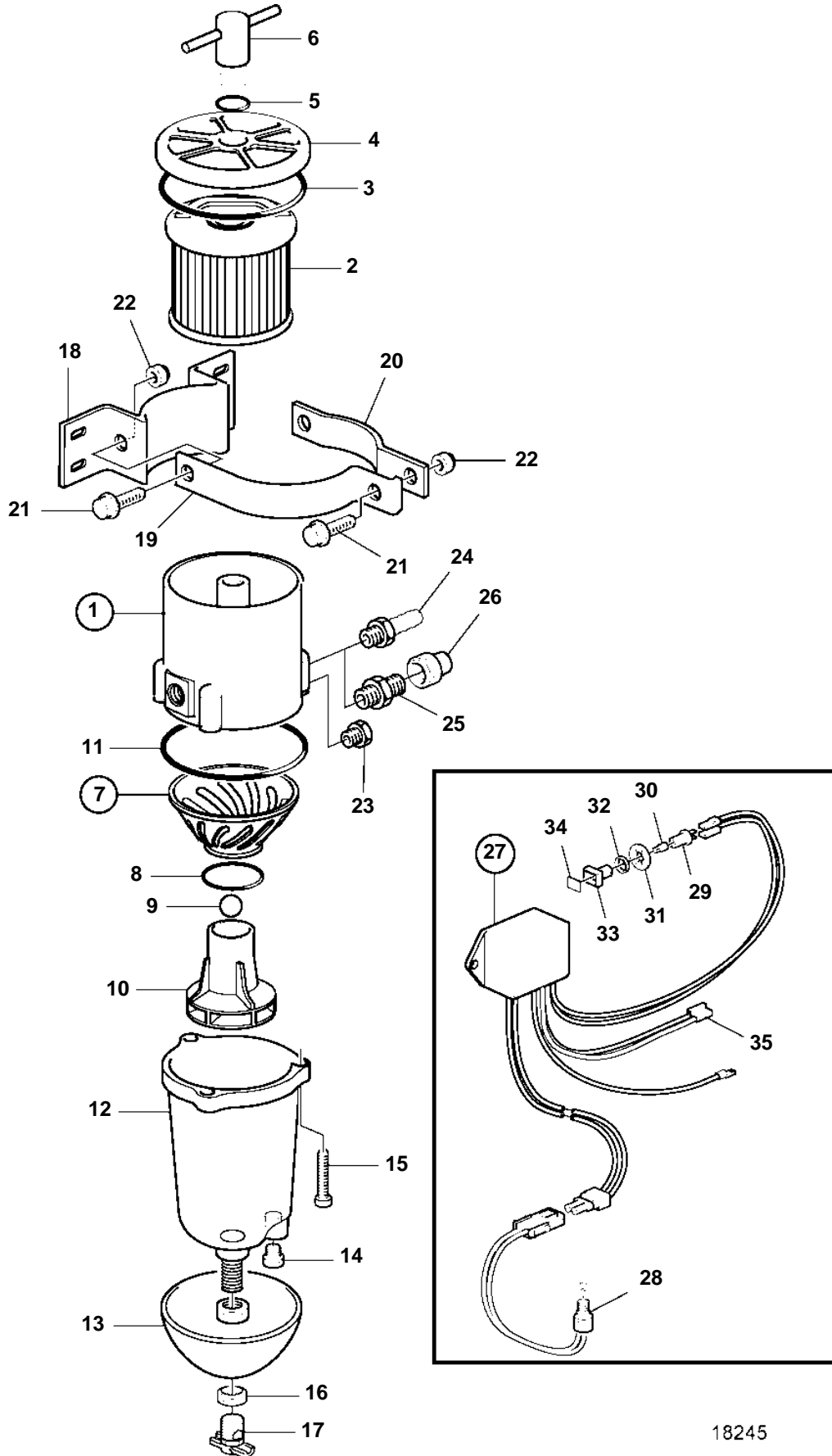


D2-55A, D2-55B, D2-55C, D2-55D, D2-55E, D2-55F



18245

D2-55A, D2-55B, D2-55C, D2-55D, D2-55E, D2-55F

REF	PART NO.	QTY	DESCRIPTION	SEE SEC.	NOTES
1	3582350	1	Fuel filter		Repl by 877763
			· Bulletin 50-11A	50-11A-EN	Fuel Filters / Water Separators
1	877763	1	Fuel filter		
				9025	
2	861014	1	· Insert		
3	838504	1	· Gasket		
4		1	· Lock		
5	838505	1	· O-ring		
6		1	· Handle		
7	861455	1	· O-ring		
8		1	· · O-ring		
9		1	· · Ball		
10		1	· · Insert		
11	3838861	1	· · Gasket		(838502)
12	861457	1	Bowl		
13		1	· Heat shield		
14		1	· Plug		
15	950024	4	· Cross recessed screw		
16	861459	2	· Nut		
17		1	· Faucet		
18		1	· Bracket		
19		1	· Clamp		
20		1	· Clamp		
21		3	· Screw		
22		3	· Nut		
23		1	· Plug		
24	3825000	X	Hose nipple		(834781)
25	954337	X	Nipple		
26	954323	X	Fitting nut		
27	1140724	1	Level guard		(1140609)
28	3588916	1	· Alarm kit		
29	808175	1	· Lamp socket		
30	19923	1	· Bulb		12V, 2W
	182059	1	· Bulb		24V, 3W
31	967583	1	· Retainer		
32	829714	1	· Sealing ring		
33	838455	1	· Retainer		
34	872591	1	· Symbol strip		
35		X	· Cables and terminals	1963	