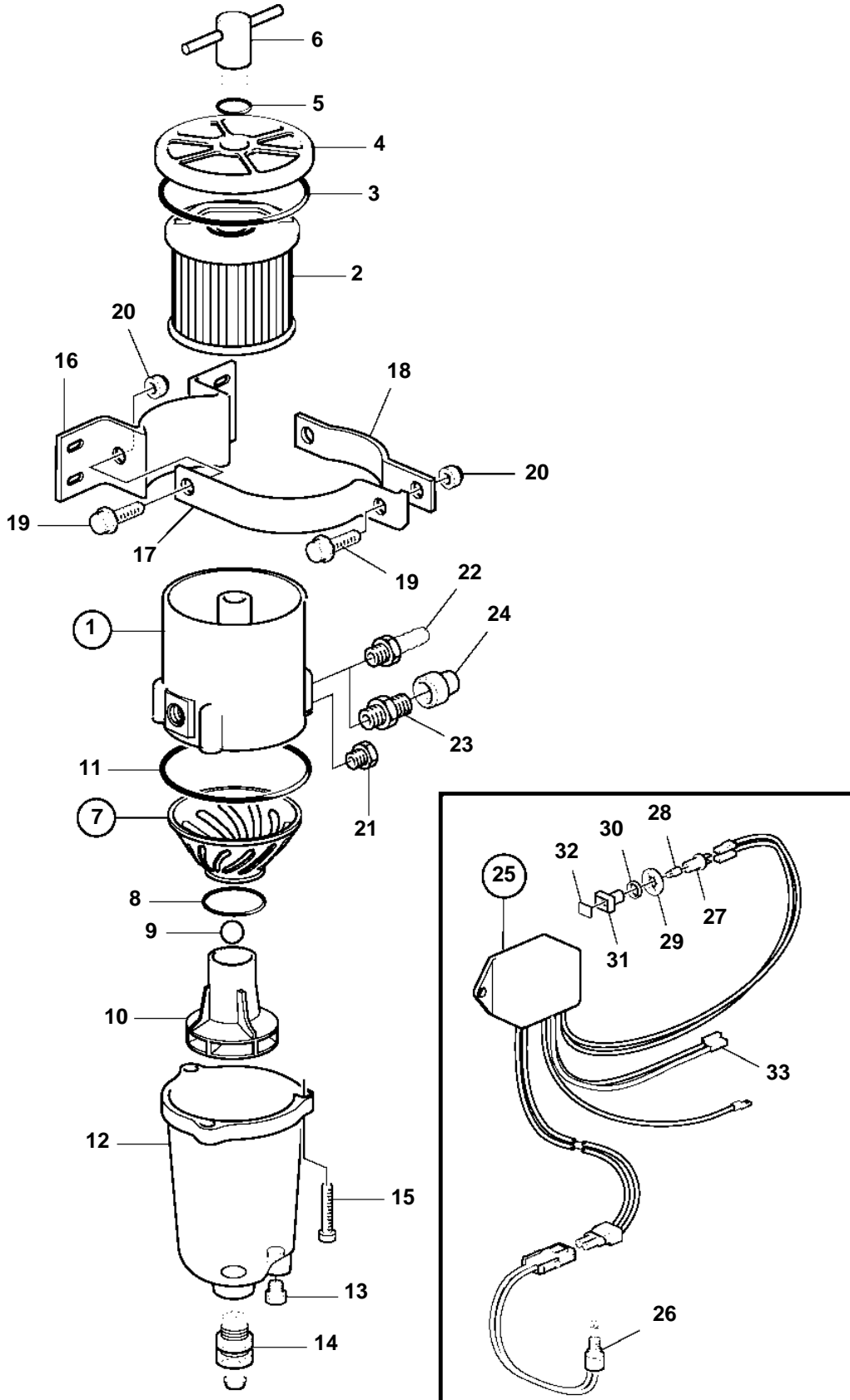


D2-55A, D2-55B, D2-55C, D2-55D, D2-55E, D2-55F



18244

D2-55A, D2-55B, D2-55C, D2-55D, D2-55E, D2-55F

REF	PART NO.	QTY	DESCRIPTION	SEE SEC.	NOTES
1	861143	1	Fuel filter		REPL BY 877762
			• Bulletin 50-03	50-03-EN	Extra Fuel/Water Separators, D2010, D22
			• Bulletin 50-10	50-10-EN	Changes in Fuel Filter Program due to Legislation
			• Bulletin 50-11A	50-11A-EN	Fuel Filters / Water Separators
1	877762	1	Fuel filter		
				9024	
2	861014	1	• Insert		
3	838504	1	• Gasket		
4		1	• Lock		
5	838505	1	• O-ring		
6		1	• Handle		
7	861455	1	• O-ring		
8		1	• • O-ring		
9		1	• • Ball		
10		1	• • Insert		
11	3838861	1	• • Gasket		(838502)
12	3838848	1	• Bowl		(861453)
13		1	• Plug		
14	861456	1	• Faucet		
15	950024	4	• Cross recessed screw		
16		1	• Bracket		
17		1	• Clamp		
18		1	• Clamp		
19		3	• Screw		
20		3	• Nut		
21		1	• Plug		
22	3825000	X	Hose nipple		(834781)
23	954337	X	Nipple		
24	954323	X	Fitting nut		
25	1140724	1	Level guard		
26	3588916	1	• Alarm kit		
27	808175	1	• Lamp socket		
28	19923	1	• Bulb		12V, 2W
	182059	1	• Bulb		24V, 3W
29	967583	1	• Retainer		
30	829714	1	• Sealing ring		
31	838455	1	• Retainer		
32	872591	1	• Symbol strip		
33		X	• Cables and terminals	1963	