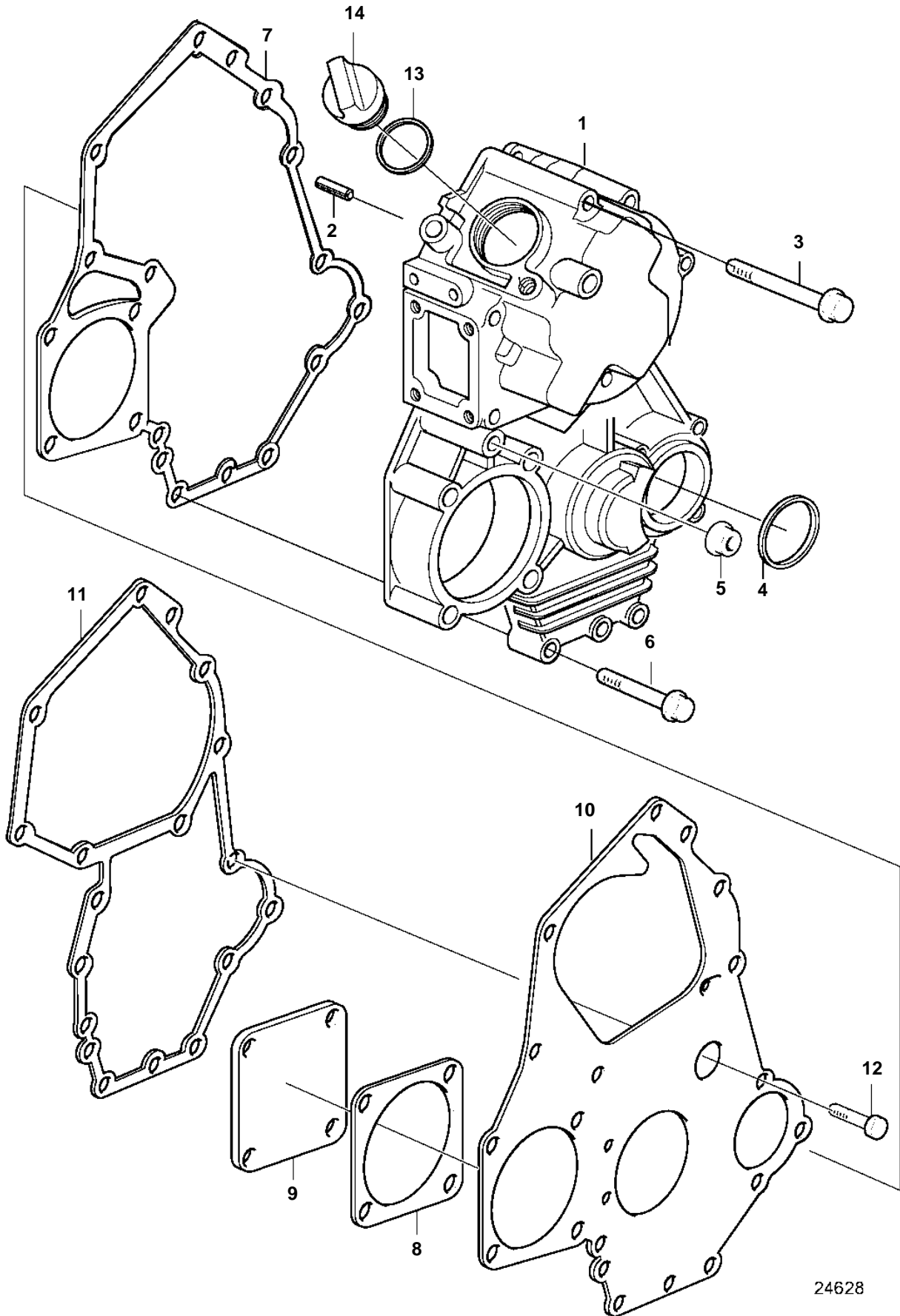


D2-55F



24628

D2-55F

REF	PART NO.	QTY	DESCRIPTION
1	21193790	1	Timing gear casing
2		1	Tensioning din
3	965178	3	Flange screw
4	21189037	1	Sealing
5	945407	1	Flange nut
6	3580053	5	Screw
7	3583710	1	Gasket
8	3580378	1	Gasket
9	21193270	4	Cover
10	21263150	1	Front plate
11	3583707	1	Gasket
12	861526	1	Screw
13	3886406	1	Sealing
14	3809653	1	Oil filler cap