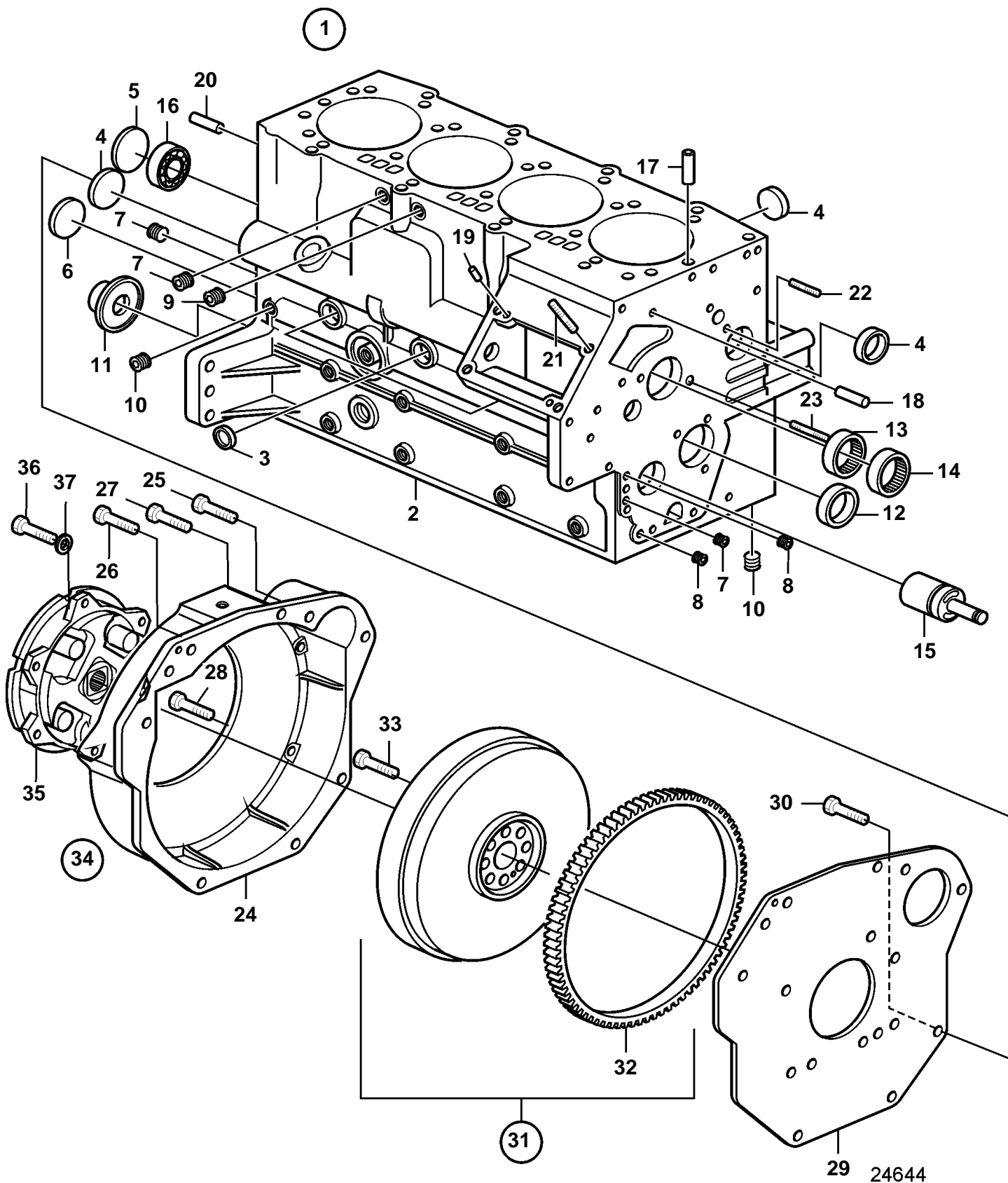


D2-55A, D2-55B, D2-55C, D2-55D, D2-55E



D2-55A, D2-55B, D2-55C, D2-55D, D2-55E

REF	PART NO.	QTY	DESCRIPTION	SEE SEC.	NOTES
1		1	Cylinder block		
2		1	· Cylinder block		
3	3583696	2	· Plug		
4	3583697	5	· Plug		
5	861813	1	· Expansion plug		
6	3809690	1	· Plug		(3583698)
7	861806	3	· Plug		
8	3580455	2	· Plug		
9	3807215	3	· Plug		(3580456)
10	3583699	2	· Plug		
11	3583700	1	· Sealing		
12	3583701	1	· Bushing		
13	3583702	1	· Bearing		
14	3583703	1	· Bearing		
15	3583704	1	· Shaft		
16	861812	1	· Bearing		
17	861818	2	· Spring pin		
18		2	· Dowel		
19		2	· Pin		
20		2	· Pin		
21	3583705	3	· Stud		
22	3583708	1	· Stud		
23	3583709	1	· Stud		
24	3587360	1	Flywheel housing		
25	3583726	2	Screw		
26	11998890	4	Screw		
27	3583727	6	Screw		
28	3583728	2	Screw		
29	3583724	1	Plate		
30	861870	10	Screw		
31	3583691	1	Flywheel		
32	3583850	1	· Gear ring		
33	3580561	6	Screw		
34	3812226	1	Flexible coupling		
			· Bulletin P-44-2-2	P-44-2-2-EN	Flexible Coupling Kit
35		1	· Flexible coupling		
36	959223	6	· Hex. socket screw		(3808569)
37	3808568	6	Spacer washer		