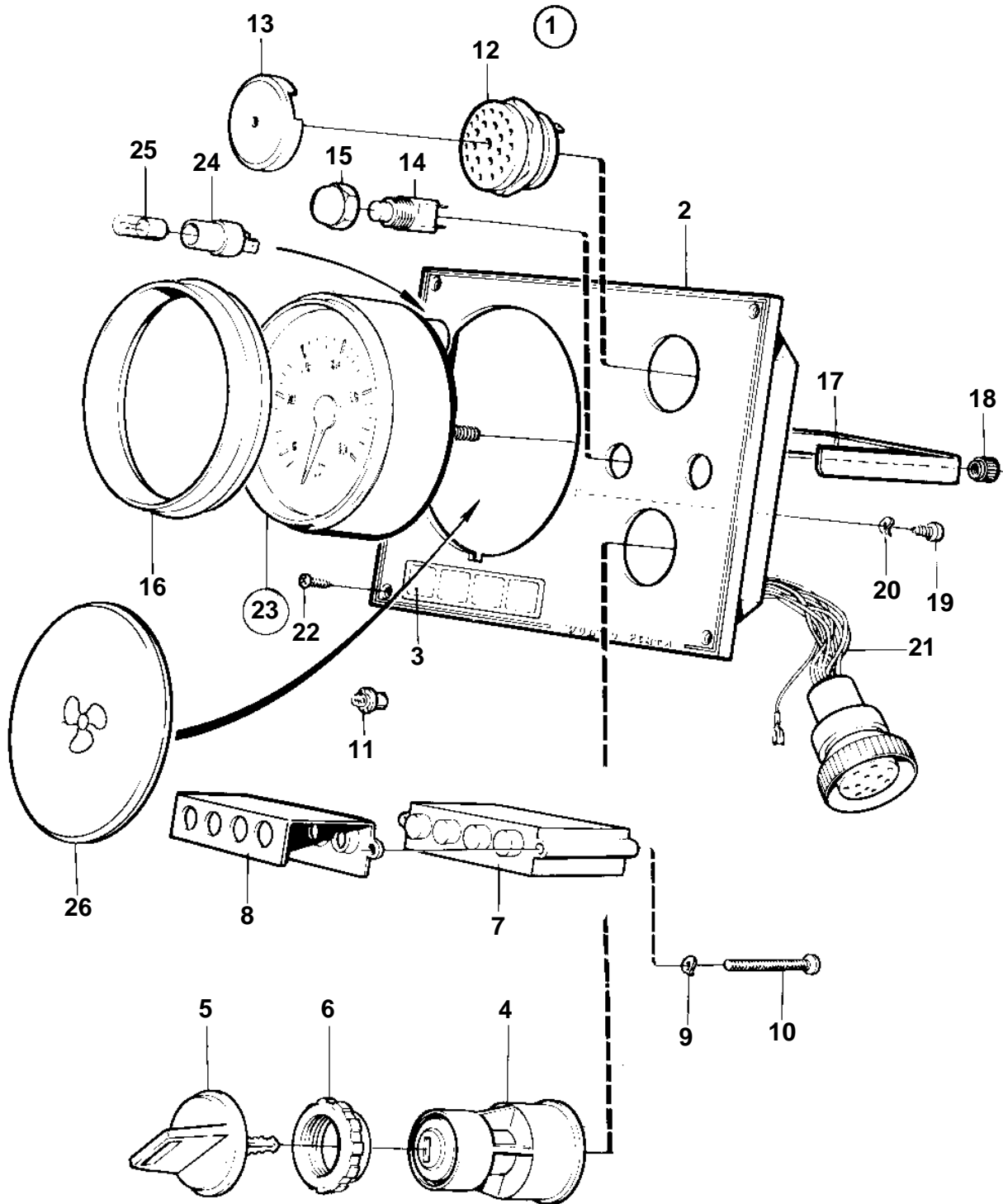


D2-55A, D2-55B, D2-55C



16147

D2-55A, D2-55B, D2-55C

REF	PART NO.	QTY	DESCRIPTION	SEE SEC.	NOTES
1	3587077	1	Instrument panel		(873593)
2	860183	1	• Instrument panel		
3	858645	1	• Symbol strip		
4	3587072	1	• Starter switch		(864277)
5	859953	2	• • Key		State key code when ordering.
			• Bulletin 49-30	49-30-EN	Key P/N 859953
6	859955	1	• • Plastic nut		
7	873737	1	• Electronic unit		
8	828784	1	• Reflector		
9	941904	2	• Spring washer		
10	941615	2	• Cross recessed screw		
11	19923	4	• Bulb		12V
12	828587	1	• Buzzer		
13	858795	1	• Protecting casing		
14	828584	1	• Toggle switch		ALARM TEST
	828585	1	• Toggle switch		INSTR. LIGHT
15	828586	2	• Nut		
16	873517	1	• Ring		
17	873208	1	• Brace kit		
18		2	• • Nut		
19	949947	1	• Cross recessed screw		
20	941904	1	• Spring washer		
21	828648	1	• Cable kit		
22	828647	4	• Screw		
23	873998	1	Tachometer kit		
24	863945	1	• Lamp socket		
25	863946	1	• Bulb		12V
26	858648	1	Closure		ALT