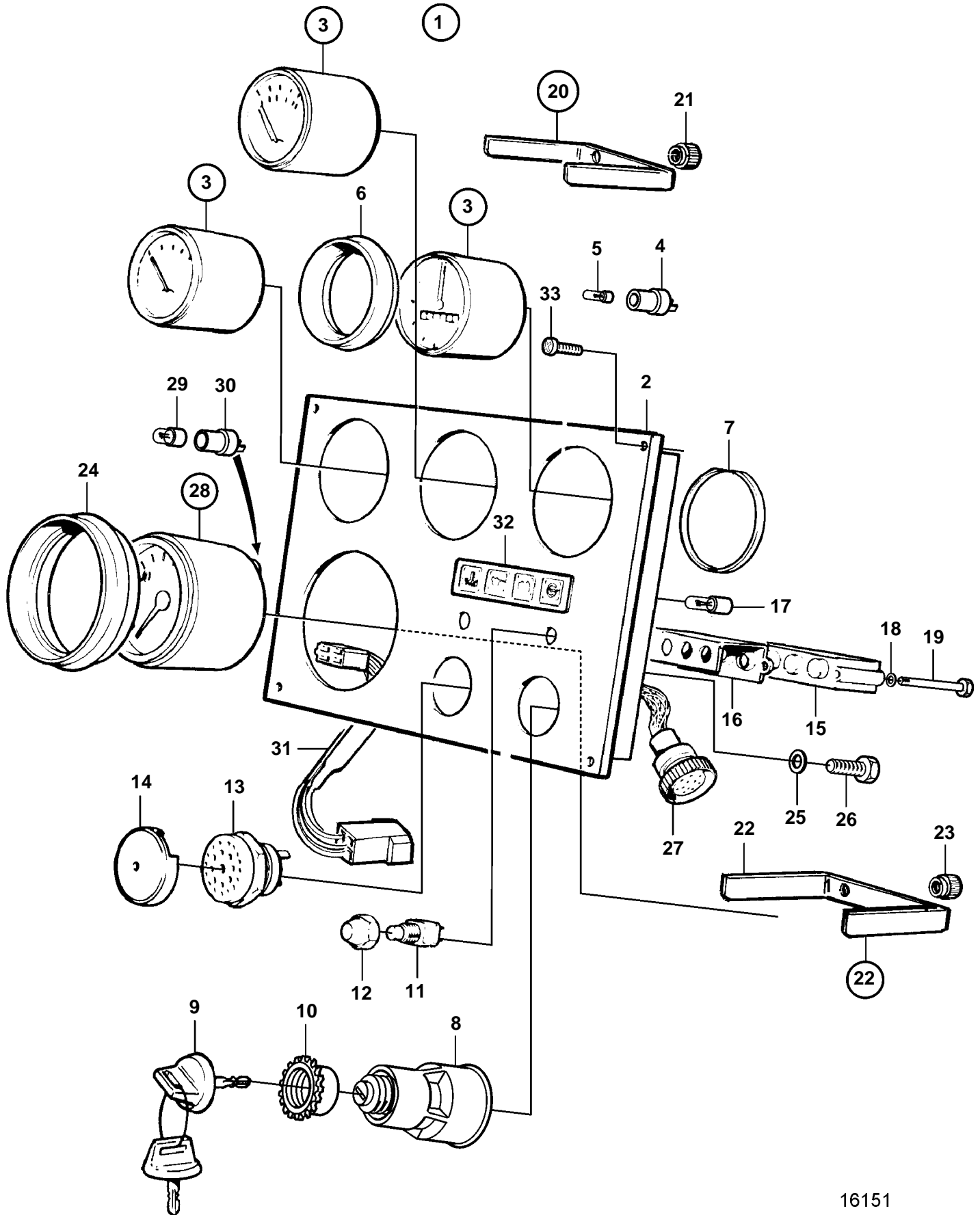


D2-55A, D2-55B, D2-55C



16151

D2-55A, D2-55B, D2-55C

| REF | PART NO. | QTY | DESCRIPTION | SEE SEC. | NOTES |
|-----|----------|-----|------------------------|----------|-------------------------------|
| 1 | 3587074 | 1 | Instrument panel | | (873590) |
| 2 | 860182 | 1 | · Instrument panel | | |
| 3 | 873195 | 1 | · Thermometer | | |
| | 873197 | 1 | · Oil pressure gauge | | |
| | 873199 | 1 | · Voltmeter | | |
| 4 | 863945 | 3 | · · Lamp socket | | |
| 5 | 863946 | 3 | · · Bulb | | |
| 6 | 858643 | 3 | · Front ring | | D=52mm |
| 7 | 828803 | 3 | · Guide ring | | |
| 8 | 3587072 | 1 | · Starter switch | | (864277) |
| 9 | 859953 | 2 | · · Key | | State key code when ordering. |
| | | | · Bulletin 49-30 | 49-30-EN | Key P/N 859953 |
| 10 | 859955 | 1 | · · Plastic nut | | |
| 11 | 828584 | 1 | · Toggle switch | | TEST ALARM |
| | 828585 | 1 | · Toggle switch | | INSTR. LIGHT |
| 12 | 828586 | 2 | · Nut | | |
| 13 | 828587 | 1 | · Buzzer | | |
| 14 | 858795 | 1 | · Protecting casing | | |
| 15 | 873737 | 1 | · Electronic unit | | |
| 16 | 828784 | 1 | · Reflector | | |
| 17 | 19923 | 4 | · Bulb | | 12V |
| 18 | 941904 | 2 | · Spring washer | | |
| 19 | 941615 | 2 | · Cross recessed screw | | |
| 20 | 873207 | 3 | · Brace kit | | |
| 21 | | 6 | · · Nut | | |
| 22 | 873208 | 1 | · Brace kit | | |
| 23 | | 2 | · · Nut | | |
| 24 | 873517 | 1 | · Ring | | D=72mm |
| 25 | 941904 | 1 | · Spring washer | | |
| 26 | 949947 | 1 | · Cross recessed screw | | |
| 27 | 828646 | 1 | · Cable trunk | | |
| 28 | 873992 | 1 | Tachometer kit | | 4600 RPM (876751) |
| 29 | 863946 | 1 | · Bulb | | |
| 30 | 863945 | 1 | · Lamp socket | | |
| 31 | 873567 | 1 | Diode cable | | |
| 32 | 858645 | 1 | Symbol strip | | |
| 33 | 828647 | 4 | Screw | | |