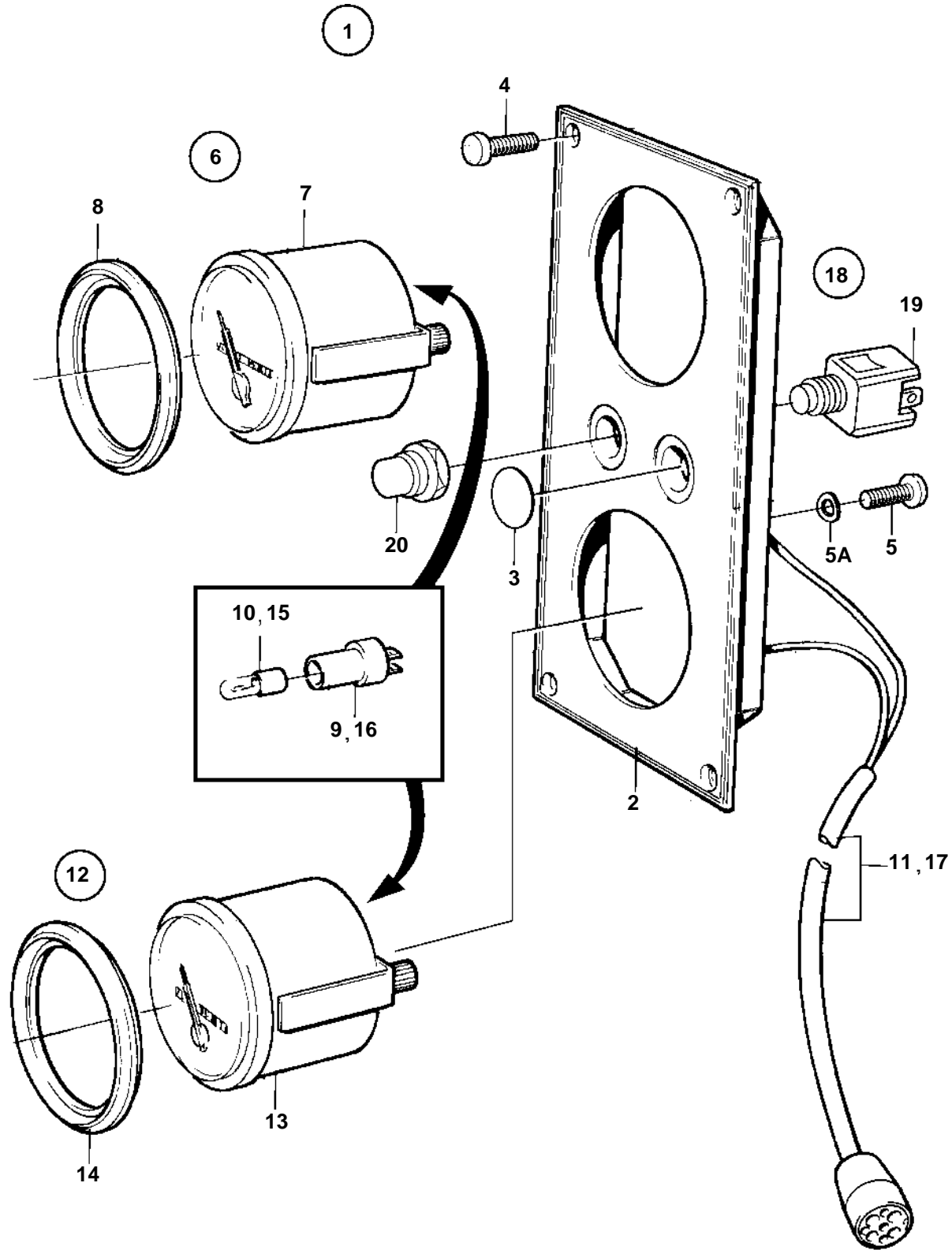


D2-55A, D2-55B, D2-55C



D2-55A, D2-55B, D2-55C

REF	PART NO.	QTY	DESCRIPTION	SEE SEC.	NOTES
1		1	Instrument panel		For instruments with D=52mm.
2		1	· Instrument panel		
3	828607	2	· Cover plate		
4	828647	4	· Screw		
5	949947	1	· Cross recessed screw		
5A	941904	1	· Spring washer		
6	1140464	1	Hour recorder		
7	872479	1	· Hour recorder		
8	858643	1	· Front ring		
9	808175	1	· Lamp socket		
10	19923	1	· Bulb		
11		X	· Electrical materials	1963	
12	858878	1	Voltmeter kit		
13	873199	1	· Voltmeter		
14	858643	1	· Front ring		
15	19923	1	· Bulb		
16	808175	1	· Lamp socket		
17		X	· Electrical materials	1963	
18	828718	1	Toggle switch		Spring loaded.
	828719	1	Toggle switch		ON/OFF.
19	828584	1	· Toggle switch		FOR 828718
	828585	1	· Toggle switch		FOR 828719
20	828586	1	· Nut		