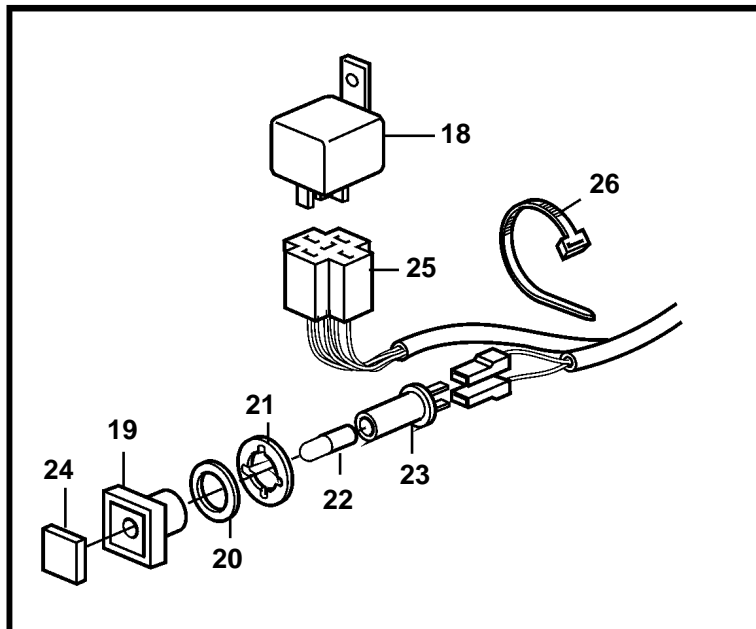
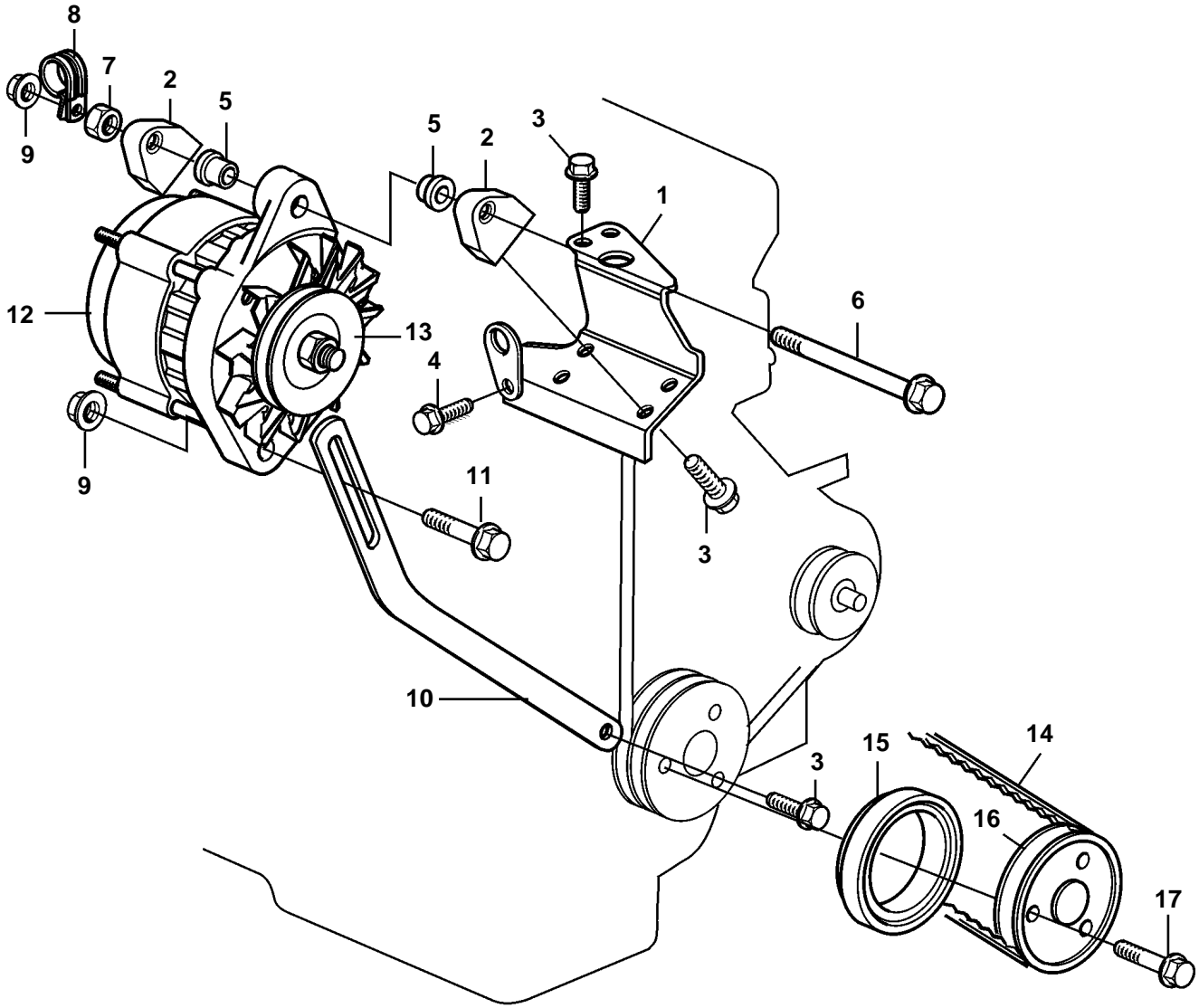


D2-55A, D2-55B, D2-55C, D2-55D, D2-55E



18969

D2-55A, D2-55B, D2-55C, D2-55D, D2-55E

REF	PART NO.	QTY	DESCRIPTION	SEE SEC.	NOTES
1	3583062	1	Bracket		
2	3580749	2	Anchorage		
3	946440	7	Flange screw		
4	946173	1	Flange screw		
5	859274	2	Washer		
6	968553	1	Flange screw		
7	955782	1	Hexagon nut		
8	949746	1	Clamp		
9	945408	2	Flange nut		
10	845021	1	Tensioner		
11	947760	1	Flange screw		
12	872235	1	Alternator		12V, 60A
	3803260	1	Alternator, exch, exch		12V, 60A
			· Bulletin P-32-1-4	P-32-1-4-EN	Alternators wrong assembled
12	872927	1	Alternator		24V, 40A
	3803619	1	Alternator, exch, exch		24V, 40A
13	841813	1	Pulley		
14	978710	1	V-belt		
15	3583572	1	Spacer		
16	3581036	1	Pulley		
17	965227	3	Flange screw		
18	1324492	1	Relay		
19	838455	1	Retainer		
20	829714	1	Sealing ring		
21	967583	1	Retainer		
22	19923	1	Bulb		
23	808175	1	Lamp socket		
24	838457	1	Symbol strip		
25	838542	1	Cable trunk		
26	948211	10	Cable tie		