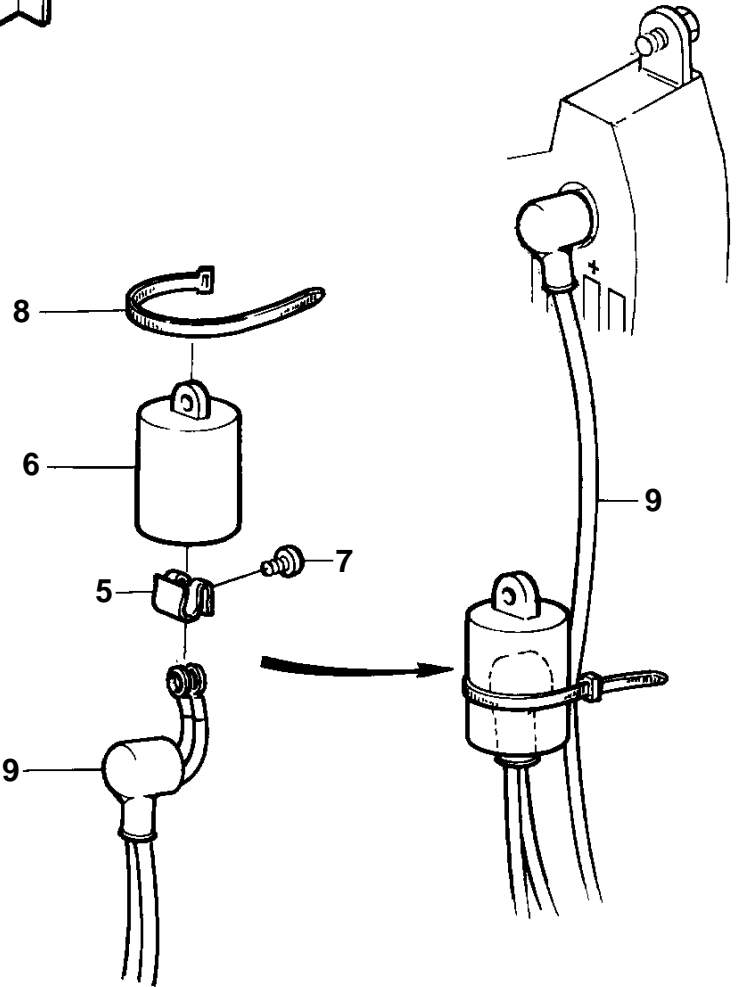
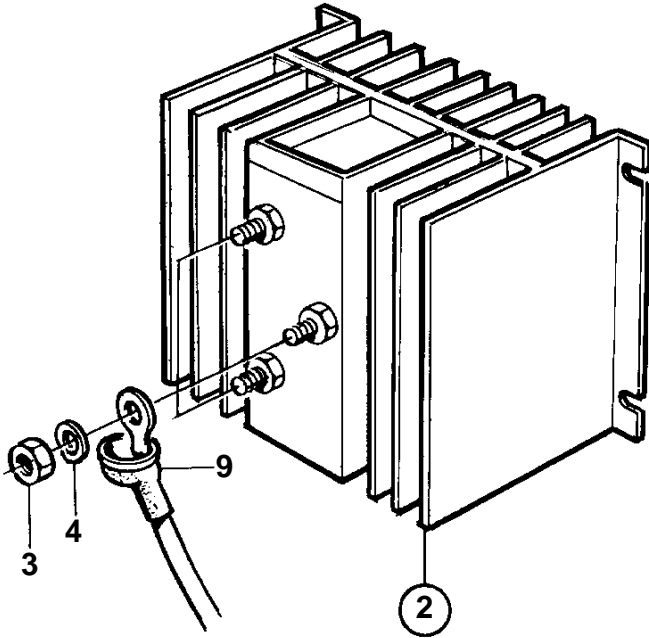


D2-55C, D2-55D, D2-55E, D2-55F

①



D2-55C, D2-55D, D2-55E, D2-55F

REF	PART NO.	QTY	DESCRIPTION	SEE SEC.	NOTES
1	3840597	1	Junction block · Bulletin P-32-2-1	P-32-2-1-EN	For charging of 2 batteries. Charge Distribution Kit
2		1	· Charge distributor		
3	955846	3	· Hexagon nut		
4	941906	3	· Spring washer		
5	859492	1	· Spring nut		
6	859493	1	· Protecting casing		
7	955126	1	· Cross recessed screw		
8	948211	1	· Cable tie		
9		X	Electrical materials	1963	