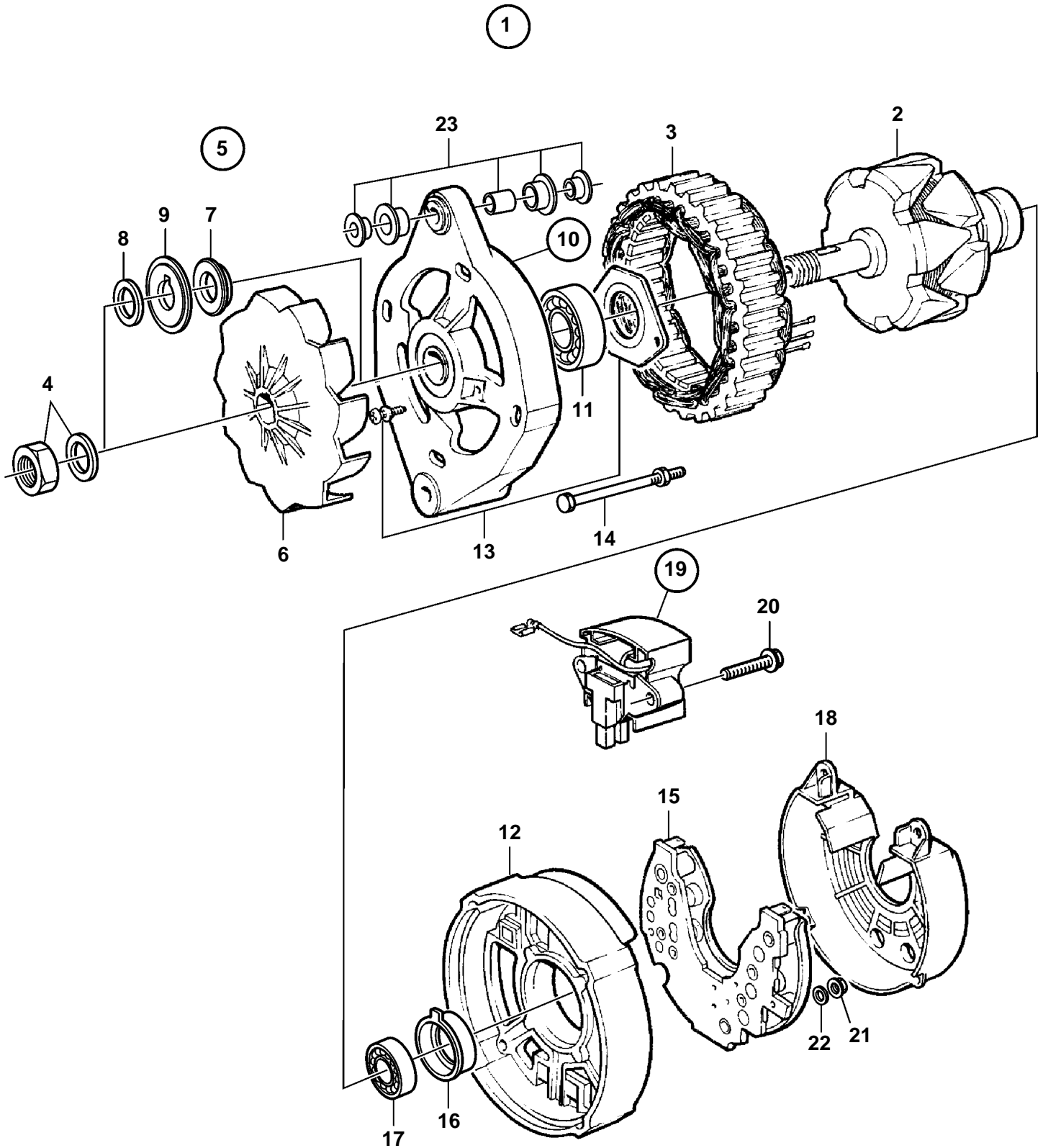


D2-55A, D2-55B



23096

D2-55A, D2-55B

| REF | PART NO. | QTY | DESCRIPTION            | SEE SEC.    | NOTES                       |
|-----|----------|-----|------------------------|-------------|-----------------------------|
| 1   | 872235   | 1   | Alternator             |             | 14V 60A                     |
|     | 3803260  | 1   | Alternator, exch, exch |             | 14V 60A                     |
|     |          |     | · Bulletin P-32-1-4    | P-32-1-4-EN | Alternators wrong assembled |
| 2   |          | 1   | · Rotor                |             |                             |
| 3   |          | 1   | · Stator               |             |                             |
| 4   | 6212688  | 1   | · Mounting kit         |             |                             |
| 5   | 860281   | 1   | · Fan kit              |             |                             |
| 6   | 860282   | 1   | · · Fan                |             |                             |
| 7   | 862897   | 1   | · · Spacer             |             |                             |
| 8   | 860284   | 1   | · · Spacer             |             |                             |
| 9   | 860283   | 1   | · · Washer             |             |                             |
| 10  |          | 1   | · End plate            |             |                             |
| 11  | 860432   | 1   | · · Ball bearing       |             |                             |
| 12  |          | 1   | · End plate            |             |                             |
| 13  |          | 1   | · Mounting kit         |             |                             |
| 14  |          | 1   | · Screw kit            |             |                             |
| 15  | 1698689  | 1   | · Diode bridge         |             |                             |
| 16  |          | 1   | · Bearing carrier      |             |                             |
| 17  |          | 1   | · Ball bearing         |             |                             |
| 18  | 873240   | 1   | · Protecting casing    |             |                             |
| 19  | 872720   | 1   | · Governor             |             |                             |
| 20  |          | 2   | · · Screw              |             |                             |
| 21  | 955779   | 1   | · Hexagon nut          |             | (M4)W                       |
|     | 965483   | 2   | · Flange nut           |             | (M5)D+,B-                   |
|     | 945407   | 1   | · Flange nut           |             | (M6)B-                      |
| 22  | 980689   | 1   | · Washer               |             | (FOR M4)W                   |
| 23  | 840634   | 1   | · Guide                |             |                             |