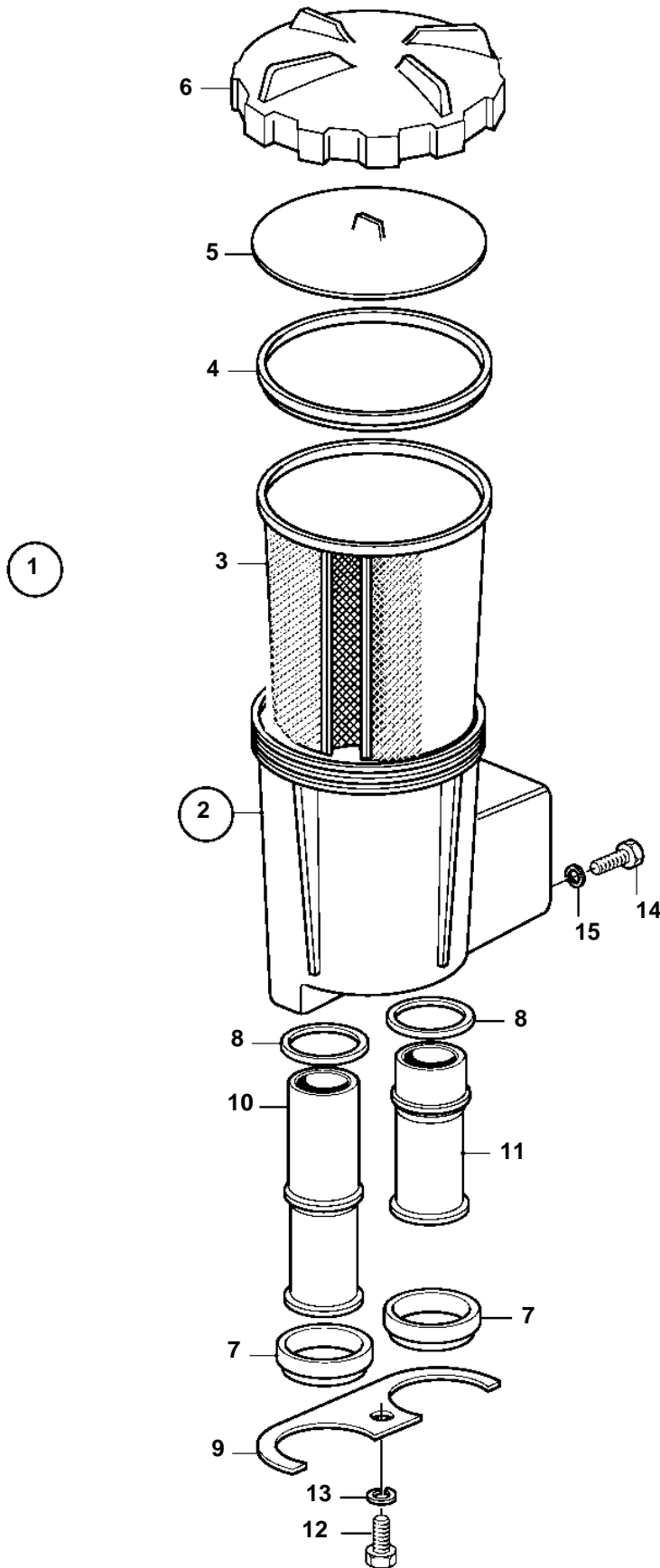


D2-55A, D2-55B, D2-55C, D2-55D, D2-55E, D2-55F



D2-55A, D2-55B, D2-55C, D2-55D, D2-55E, D2-55F

REF	PART NO.	QTY	DESCRIPTION	NOTES
1	21219685	1	Sea water filter	
2	842924	1	· Strainer	
3	842723	1	· · Strainer	
4	842724	1	· · Sealing	
5	842982	1	· · Pressure plate	
6	842722	1	· · Cover	
7	847108	2	· Pipe retainer	
8	858986	2	· Sealing ring	
9	21211745	1	· Retainer	
10	3888859	1	· Connection pipe	Inlet
11	21147599	1	· Connection pipe	Outlet
12	955270	1	· Hexagon screw	
13	941906	1	· Spring washer	
14	965215	4	· Flange screw	(955296)
15	941907	4	· Spring washer	