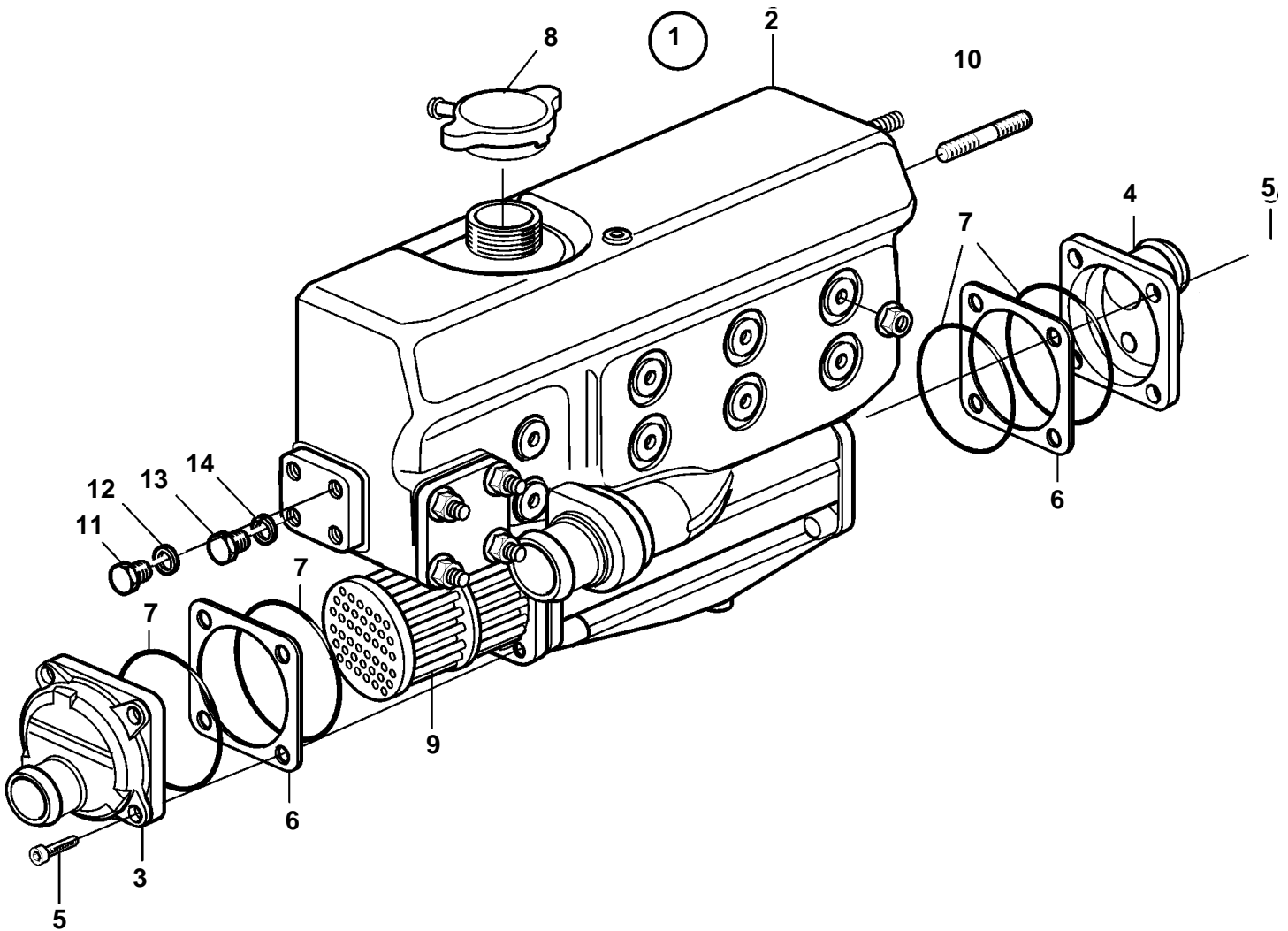


D2-55A, D2-55B



20771

D2-55A, D2-55B

REF	PART NO.	QTY	DESCRIPTION
1	3583086	1	Heat exchanger
2		1	· Heat exchanger housi
3	3584207	1	· End plate
4	3584206	1	· End plate
5	3838337	8	· Screw
6	3580968	1	· Plate
7	3580818	4	· O-ring
8	3581770	1	· Filler cap
	888625	1	· Cardboard tube
9	3584205	1	· Insert
10	3584203	4	· Stud
11	861918	1	· Plug
12	947624	1	· Gasket
13	914391	1	· Plug
14	947623	1	· Gasket