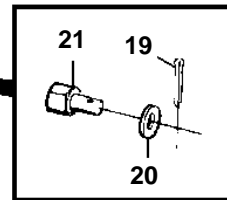
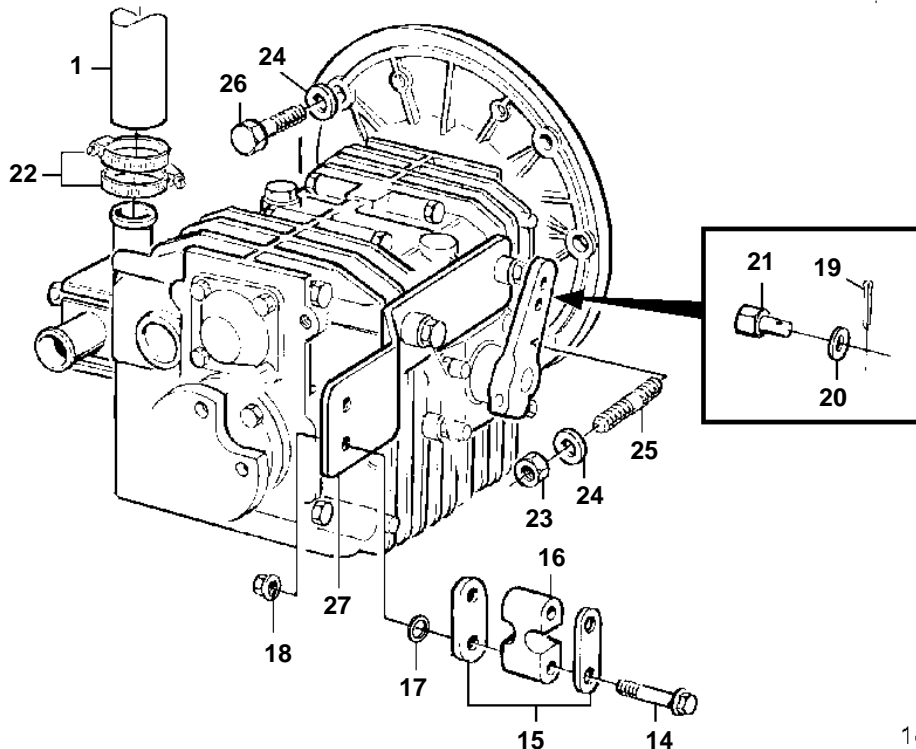
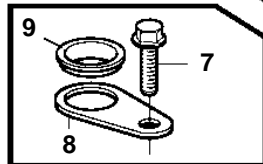
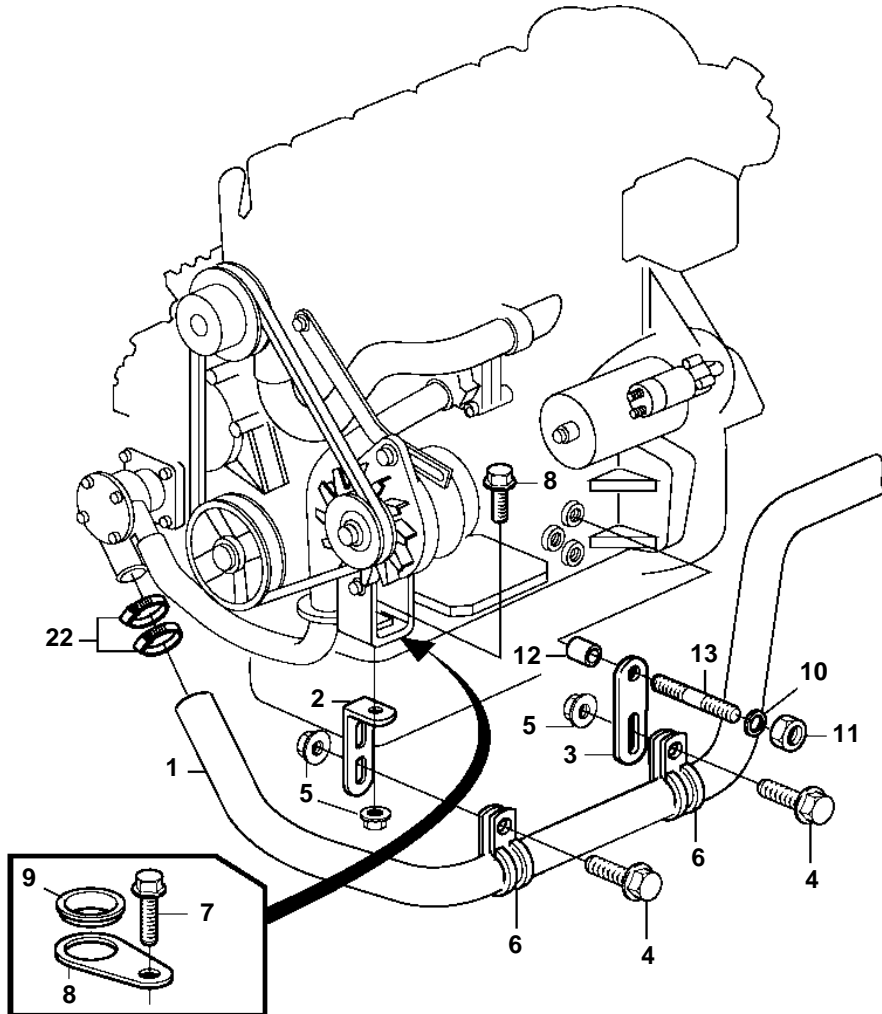


D2-55A, D2-55B, D2-55C, D2-55D, D2-55E, D2-55F



D2-55A, D2-55B, D2-55C, D2-55D, D2-55E, D2-55F

REF	PART NO.	QTY	DESCRIPTION	NOTES
1	3583077	1	Hose	For MS25L-A and MS25A-A
2	965555	1	Bracket	
3	965535	1	Bracket	
4	946440	2	Flange screw	
5	945408	3	Flange nut	
6	949850	2	Clamp	
7	946671	1	Flange screw	
8	3580250	1	Stay	
9	3580251	1	Grommet	
10	845988	1	Spacer sleeve	
11	3583789	1	Nut	
12	3582401	1	Adapter	
13	924083	1	Stud	
14	969439	2	6 point socket screw	
15	872076	2	Washer	
16	872074	1	Retainer	
17	940090	2	Washer	
18	949874	1	Flange lock nut	
19	17276	1	Split pin	
20	941906	1	Spring washer	
21	3852329	1	Cube	
22	943476	4	Hose clamp	
23	940157	3	Hexagon nut	
24	955896	6	Washer	
25	953288	3	Stud	
26	940134	3	Hexagon screw	
27		1	Bracket	See transmission catalogue