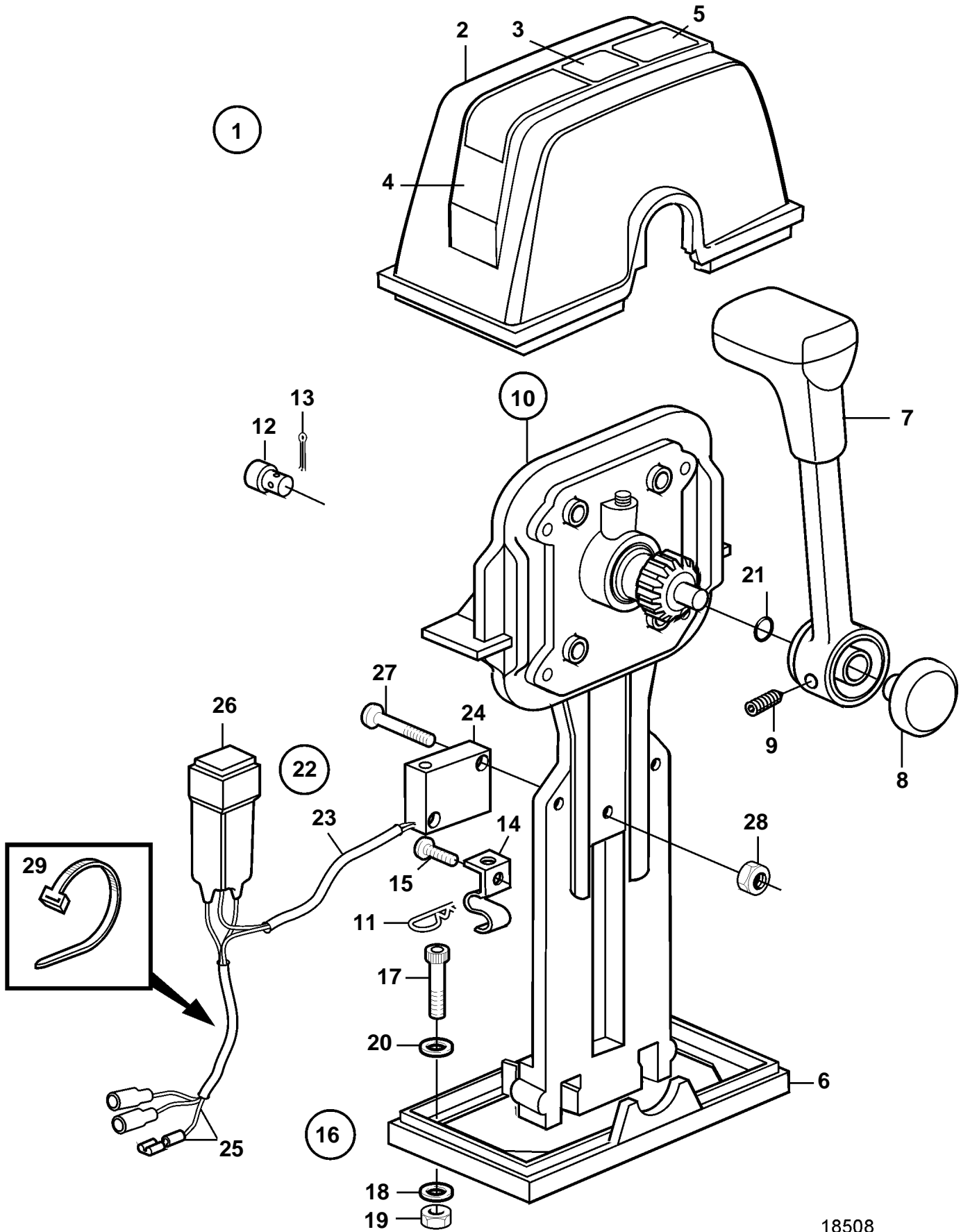


D2-55A, D2-55B, D2-55C, D2-55D, D2-55E, D2-55F



D2-55A, D2-55B, D2-55C, D2-55D, D2-55E, D2-55F

REF	PART NO.	QTY	DESCRIPTION	SEE SEC.	NOTES
1	853168	1	Mounting kit		For single installation.
2	1140046	1	• Cover		
3	851896	2	• • Decal		
4		1	• • Crossbar		
5		1	• • Decal		
6	839474	1	• • Plate		
7	852347	1	• Hand lever		
				266	
8		1	• • Push button		Included in complete handle.
9		1	• • Screw		Included in complete handle.
10	851600	1	Control		
11	852924	1	• Clip		
12	839638	1	• Cube		
13	17253	1	• Split pin		
14	853423	1	• Retainer		
15	839664	1	• Screw		
16		1	• Screw kit		
17	947671	4	• • Hex. socket screw		
18	960138	4	• • Washer		
19	955780	4	• • Hexagon nut		
20	940090	4	• • Washer		
21	925058	1	• O-ring		
22	855352	1	Neutral position con		
23		1	• Cable kit		
24	850200	1	• • Toggle switch		
25		X	• • Cables and terminals	1963	
26	876037	1	• Relay kit		
27	946177	2	• Cross recessed screw		
28	947536	2	• Hexagon nut		
29	948211	X	• Cable tie		