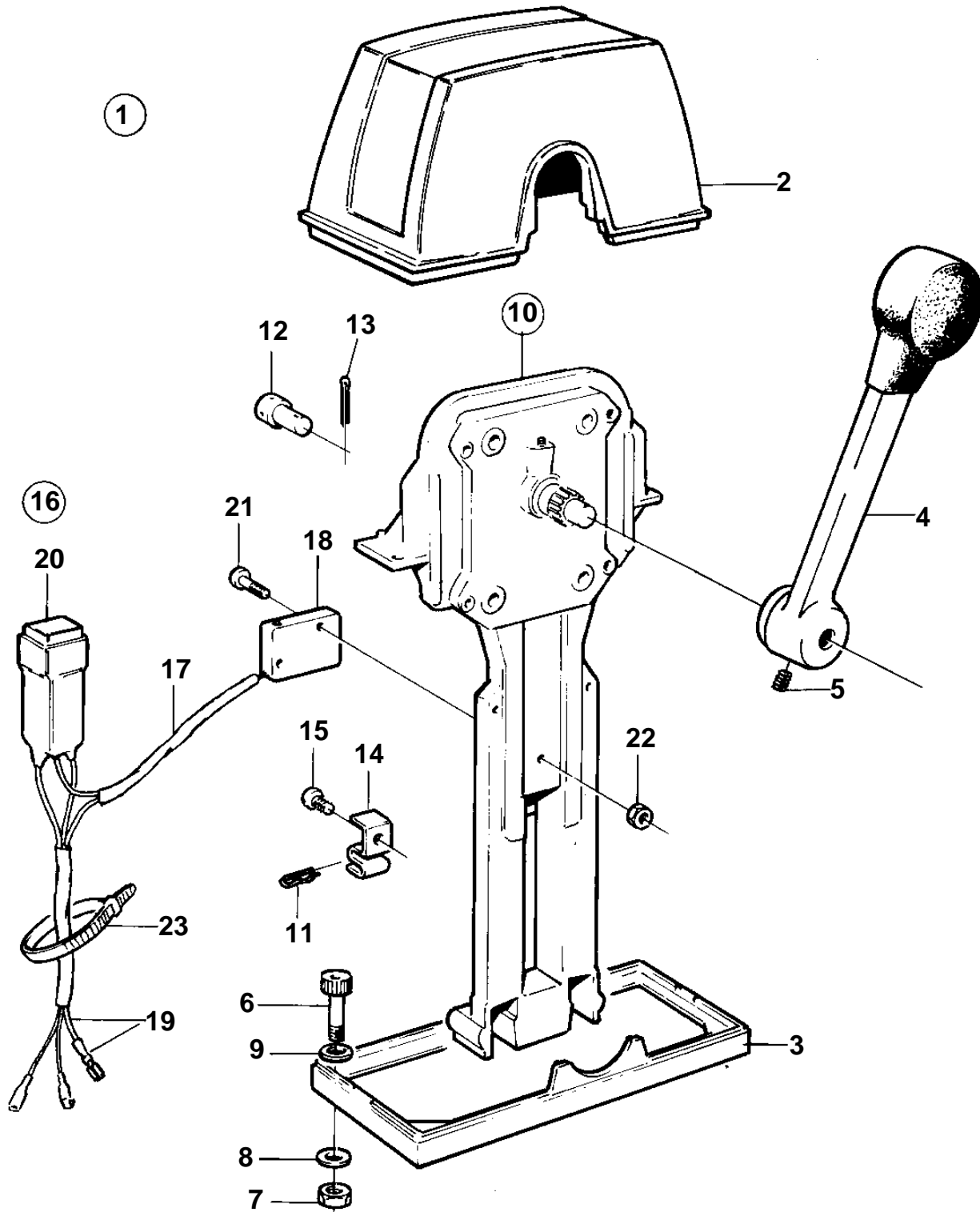


D2-55A, D2-55B, D2-55C, D2-55D, D2-55E, D2-55F



8862

D2-55A, D2-55B, D2-55C, D2-55D, D2-55E, D2-55F

REF	PART NO.	QTY	DESCRIPTION	SEE SEC.
1	1140022	1	Mounting kit	
2	850823	1	• Cover	
3	839474	1	• Plate	
4	839521	1	• Hand lever	
5	839693	1	• Lock screw	
6	947671	4	• Hex. socket screw	
7	955780	4	• Hexagon nut	
8	960138	4	• Washer	
9	940090	2	• Washer	
10	851600	1	Control	
11	852924	1	• Clip	
12	839638	2	• Cube	
13	17253	2	• Split pin	
14	853423	1	• Retainer	
15	839664	1	• Screw	
16	855352	1	Neutral position con	
17		1	• Cable kit	
18	850200	1	• • Toggle switch	
19		X	• • Cables and terminals	1963
20	876037	1	• Relay kit	
21	946177	2	• Cross recessed screw	
22	947536	2	• Hexagon nut	
23	948211	X	• Cable tie	