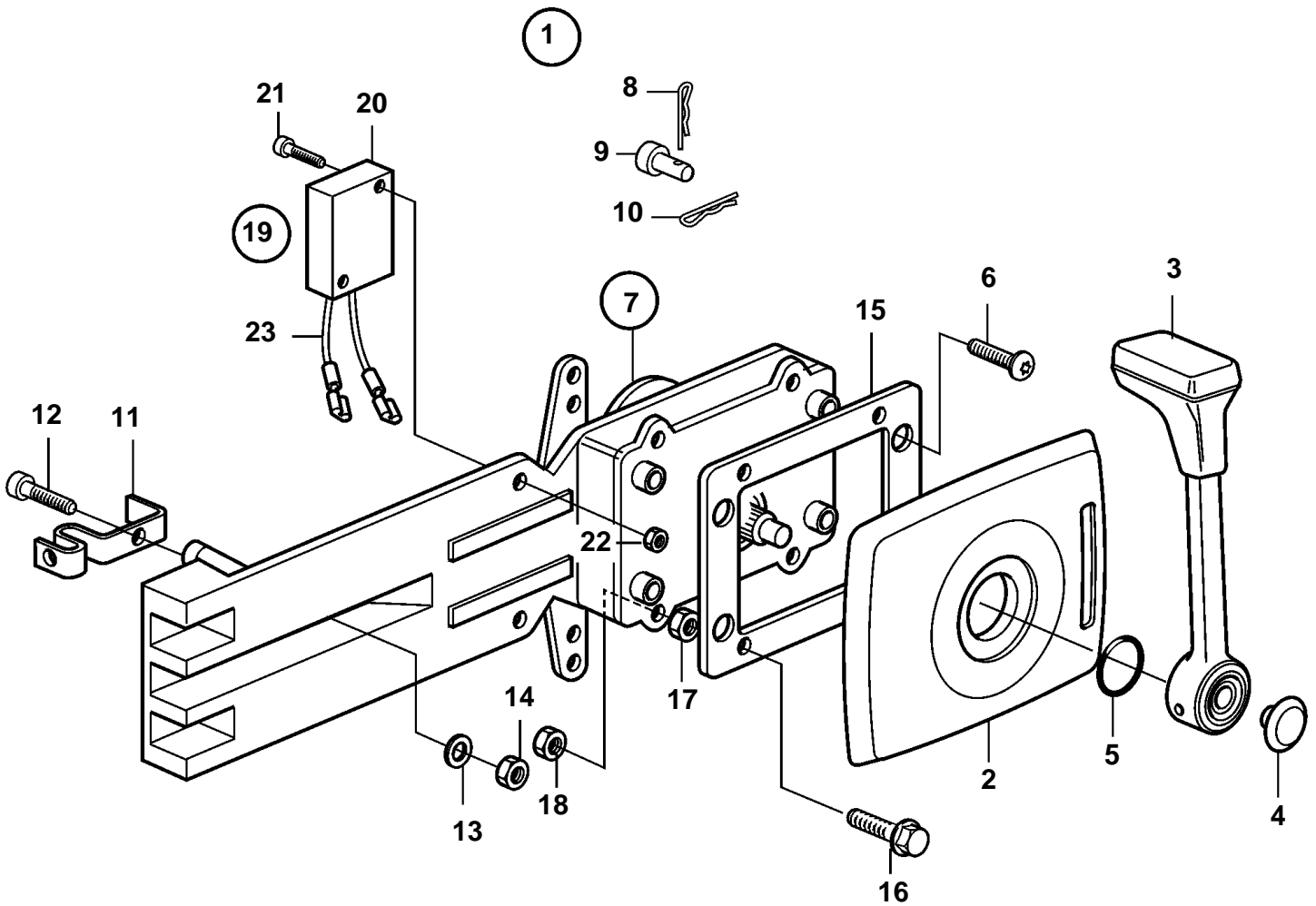


D2-55A, D2-55B, D2-55C, D2-55D, D2-55E, D2-55F



22852

D2-55A, D2-55B, D2-55C, D2-55D, D2-55E, D2-55F

REF	PART NO.	QTY	DESCRIPTION	SEE SEC.
1	1140090	1	Mounting kit	
2	853713	1	• Cover	
3	852347	1	• Hand lever	
				266
4	853004	1	• Push button	
5	925058	1	• O-ring	
6	961330	4	• Cross recessed screw	
7	1140095	1	Control mechanism	
8	17253	2	• Split pin	
9	839638	2	• Cube	
10	852924	1	• Clip	
11	853423	1	• Retainer	
12	839664	1	• Screw	
13	940275	1	• Washer	
14	946435	1	• Lock nut	
15		1	• Attaching plate	
16	963548	4	• Hexagon screw	
17		4	• Nut	
18	946435	4	• Lock nut	
19	855352	1	Neutral position con	
20	850200	1	• Toggle switch	
21	946177	2	• Cross recessed screw	
22	947536	2	• Hexagon nut	
23		X	• Cables and terminals	1963