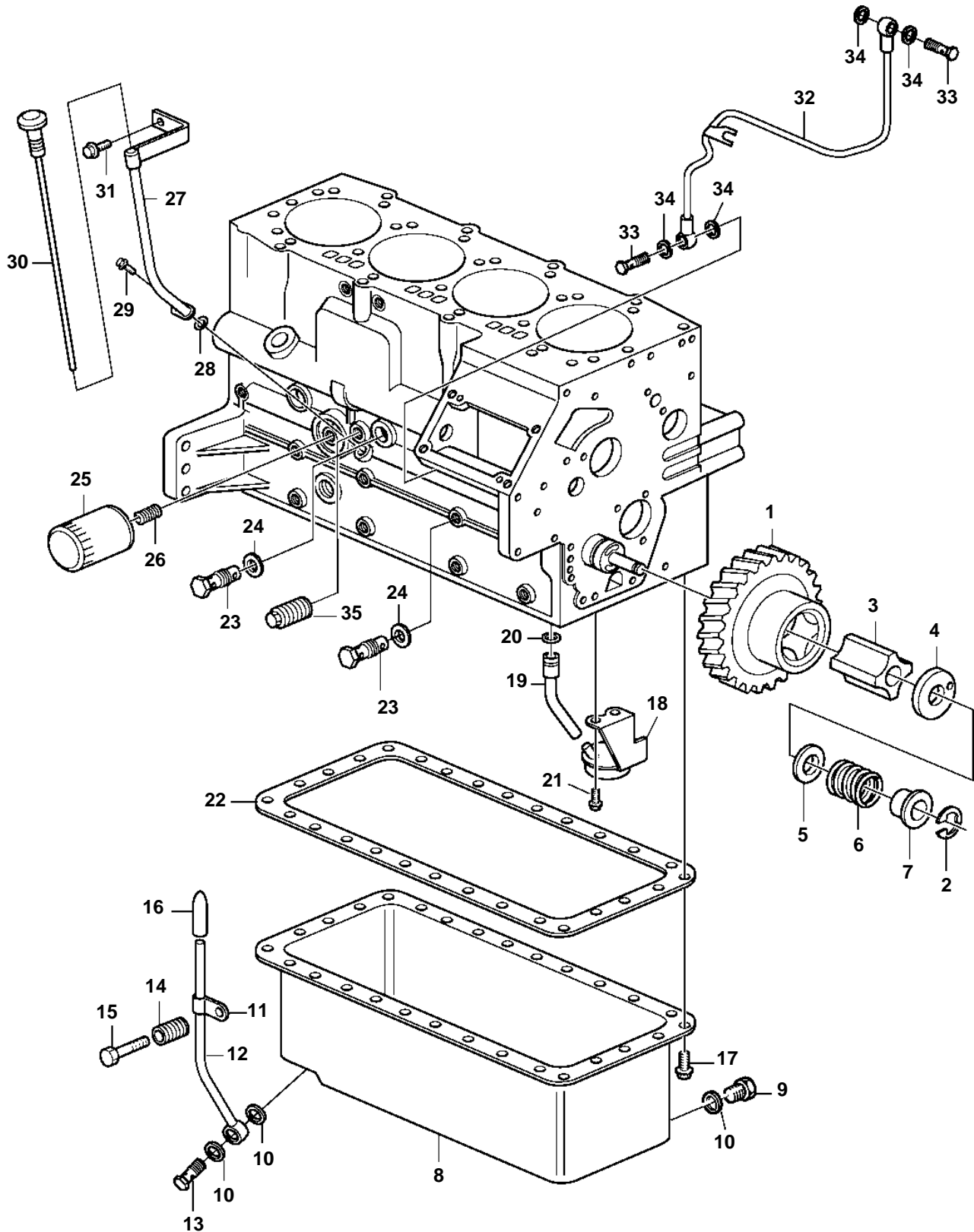


D2-55A, D2-55B, D2-55C



18950

D2-55A, D2-55B, D2-55C

REF	PART NO.	QTY	DESCRIPTION	SEE SEC.	NOTES
1		1	Gear	5484	
2	861534	1	Lock ring		
3	3580570	1	Rotor		
4	861527	1	Cover		
5	861528	X	Shim		TH = 0,10mm
	861529	X	Shim		TH = 0.15mm
	861530	X	Shim		TH=0,20mm
	861531	X	Shim		TH = 0,50mm
6	861532	1	Spring		
7	861533	1	Sleeve		
8	3583551	1	Oil pan		
9	3580091	1	Plug		
10	11996	2	Gasket		
11	941565	1	Clamp		
12	3583067	1	Oil pipe		
13	941686	1	Hollow screw		
14	3582401	1	Adapter		
15	946471	1	Screw		
16	1276516	1	Plug		
17	945358	30	Flange screw		
18	3583583	1	Strainer		
19	3583584	1	Tube		
20	861997	1	O-ring		
21	861526	2	Screw		
22	3583552	1	Gasket		
23	3583580	1	Reducing valve		
24	3583581	1	O-ring		
25	3840525	1	Oil filter		(3581621)
26	861825	1	Nipple		
27	3587361	1	Tube		(3583553)
28	861851	1	O-ring		
29	861526	1	Screw		
30	3583554	1	Oil dipstick		
31	946173	1	Flange screw		
32	3583582	1	Oil pipe		
33	3583575	2	Hollow screw		
34	11992	4	Gasket		
35	3583732	1	Plug		