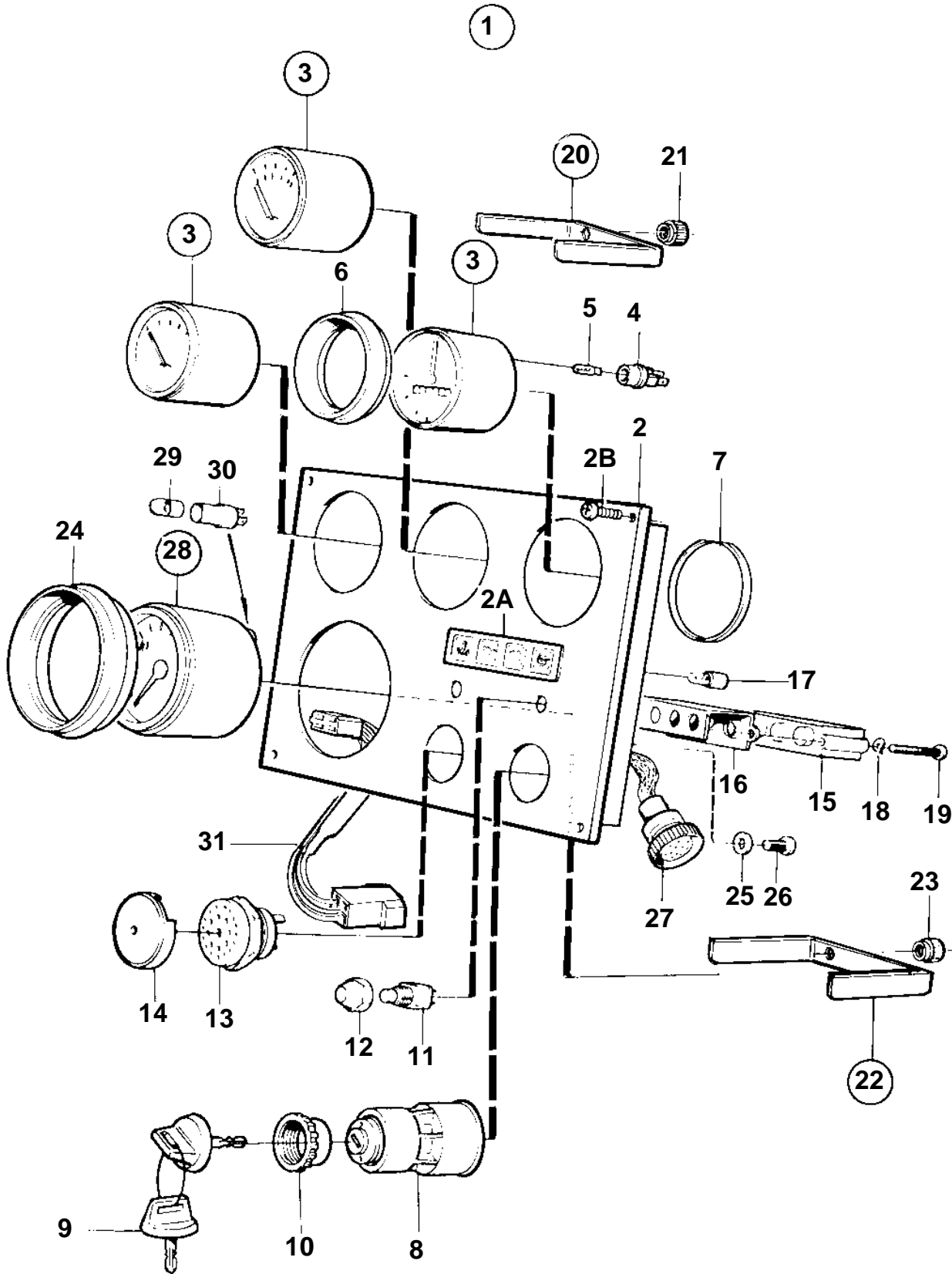


D2-55A, D2-55B, D2-55C



## D2-55A, D2-55B, D2-55C

REF	PART NO.	QTY	DESCRIPTION	SEE SEC.	NOTES
1	3587074	1	Instrument panel		(873590)
2	860182	1	· Instrument panel		
2A	858645	1	· Symbol strip		
2B	828647	4	· Screw		
3	873195	1	· Temperature gauge		
	873197	1	· Oil pressure gauge		
	873199	1	· Voltmeter		
4	863945	3	· · Bulb socket		
5	863946	3	· · Bulb		
6	858643	3	· Front ring		D=52mm
7	828803	3	· Ring		
8	3587072	1	· Starter switch		(864277)
9	859953	2	· · Key		State key code when ordering.
			· · Bulletin 49-30	49-30-EN	Key P/N 859953
10	859955	1	· · Plastic nut		
11	828584	1	· Switch		TEST ALARM
	828585	1	· Switch		INSTR. LIGHT
12	828586	2	· Nut		
13	828587	1	· Buzzer		
14	858795	1	· Protecting casing		
15	873737	1	· Electronic unit		
16	828784	1	· Reflector		
17	19923	4	· Bulb		12V
18	941904	2	· Spring washer		
19	941615	2	· Screw		
20	873207	3	· Retainer		
21		6	· · Nut		
22	873208	1	· Retainer		
23		2	· · Nut		
24	873517	1	· Front ring		D=72mm
25	941904	1	· Spring washer		
26	949947	1	· Screw		
27	828646	1	· Cable trunk		
28	873992	1	Rev counter kit		4600 RPM (876751)
29	863946	1	· Bulb		
30	863945	1	· Bulb socket		
31	873567	1	Diode cable		