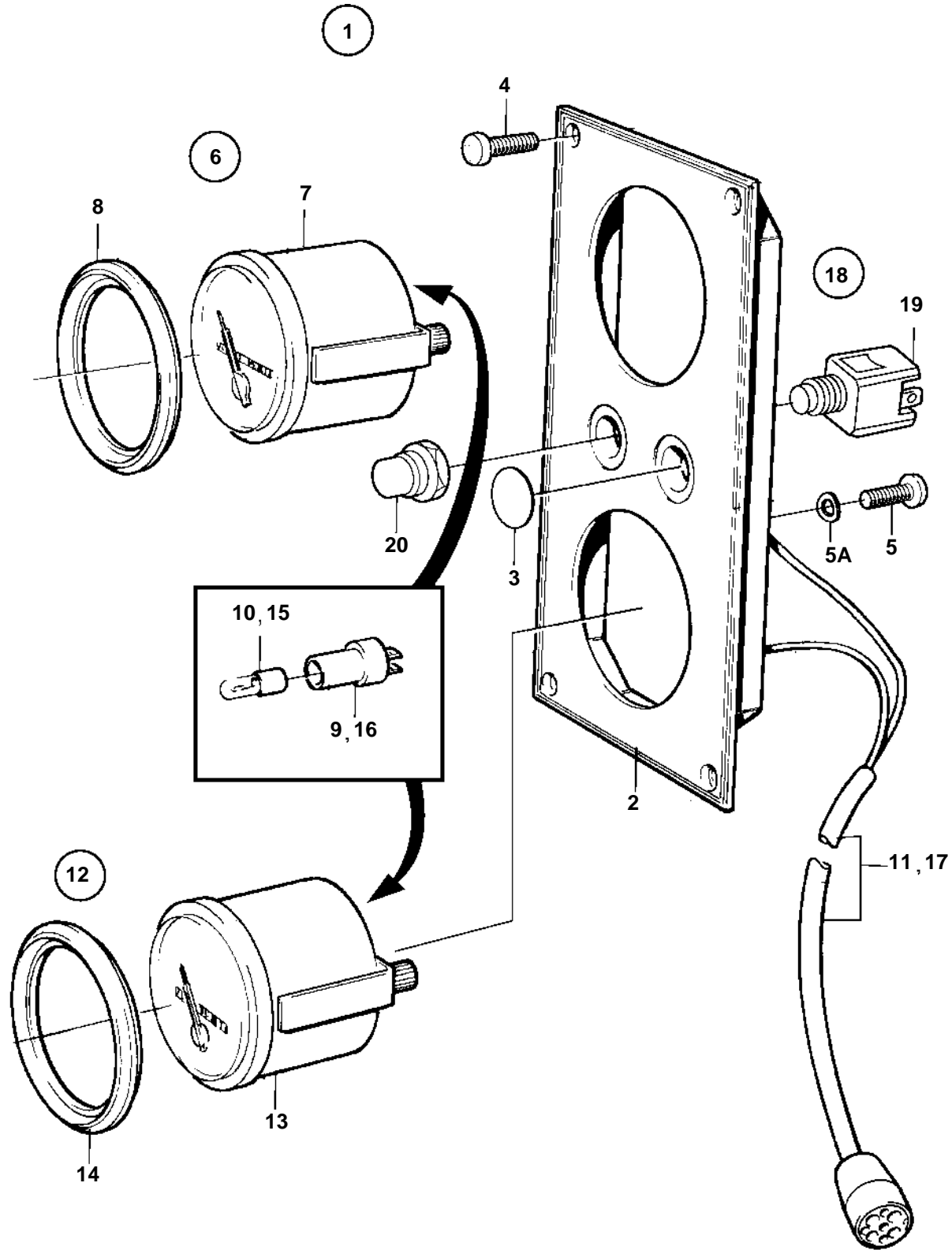


D2-55A, D2-55B, D2-55C



D2-55A, D2-55B, D2-55C

| REF | PART NO. | QTY | DESCRIPTION | SEE SEC. | NOTES |
|-----|----------|-----|------------------------|----------|------------------------------|
| 1 | | 1 | Instrument panel | | For instruments with D=52mm. |
| 2 | | 1 | · Instrument panel | | |
| 3 | 828607 | 2 | · Cover plate | | |
| 4 | 828647 | 4 | · Screw | | |
| 5 | 949947 | 1 | · Screw | | |
| 5A | 941904 | 1 | · Spring washer | | |
| 6 | 1140464 | 1 | Hour counter kit | | |
| 7 | 872479 | 1 | · Hour counter | | |
| 8 | 858643 | 1 | · Front ring | | |
| 9 | 808175 | 1 | · Bulb socket | | |
| 10 | 19923 | 1 | · Bulb | | |
| 11 | | X | · Electrical materials | 1963 | |
| 12 | 858878 | 1 | Voltmeter kit | | |
| 13 | 873199 | 1 | · Voltmeter | | |
| 14 | 858643 | 1 | · Front ring | | |
| 15 | 19923 | 1 | · Bulb | | |
| 16 | 808175 | 1 | · Bulb socket | | |
| 17 | | X | · Electrical materials | 1963 | |
| 18 | 828718 | 1 | Switch | | Spring loaded. ON/OFF. |
| | 828719 | 1 | Switch | | |
| 19 | 828584 | 1 | · Switch | | FOR 828718 |
| | 828585 | 1 | · Switch | | FOR 828719 |
| 20 | 828586 | 1 | · Nut | | |